

RESPONDER MP2™

by TRANSACT

The ideal printer solution for fire, police, EMS, insurance, public utilities, delivery vehicles, you name it. No need for a separate paper mounting unit – thermal paper roll is conveniently **integrated**.



FULL-PAGE MOBILE PRINTER SOLUTION. PAPER AND PRINTER INTEGRATED INTO ONE.

- No paper feeding required – just drop in paper roll and print
- Mounting options: in-dash, vertical, horizontal, upside-down
- Uses machine-to-machine (M2M) technology
- Connects directly to 12- or 24-volt vehicle power systems
- Compact – just 4.3 inches tall x 2.6 inches deep
- 8.5-inch wide paper roll (30 meters long), adjustable for A4
- Prints up to 2 inches per second
- USB standard interface
- Internal battery option available
- Bluetooth® or Wi-Fi interface option

RUGGED RELIABILITY

The RESPONDER MP2™ joins a proud line of mobile printers designed expressly for vehicle-based applications. The PRINTREX 812™ has been widely used in fire engines for years but with less space available in police cars and ambulances, the MP2 answers the need for a lower profile product. It's designed for mounting on a vertical surface and is a mere 2.6 inches deep (less than 3 inches when the Quick Release Plate is installed), 4.3 inches high and 12.1 inches wide to fit into the confined space of smaller vehicles.

A LEGACY OF EXCELLENCE

Printrex by TRANSACT has been producing printers for vehicle-based applications since installing them in railroad locomotives in 1992. In addition, since 1993, our printers have become the most widely-used plotter for oil and gas well data logging throughout the world. Installations in commercial aircraft began in 1993 and the first fire engine installations began in 1995, with ambulance use following a few years later. These several applications have proven our printers to be the smart choice for printing in adverse environments - the RESPONDER series of printers continues that tradition.

DROP IN PAPER LOADING

Loading paper is quick and easy. Simply open the door, drop in a new roll of paper with a few inches extending past the drive roller, close the door – you're good to go.

CONNECT DIRECTLY TO THE VEHICLE 12-VOLT OR 24-VOLT POWER SYSTEM

RESPONDER mobile printers connect directly to the vehicle power system without requiring any external power conditioning or protection. They tolerate the wide voltage excursions and electrical noise typically found in these applications. They operate from either 12-volt or 24-volt systems without any change in hardware configuration.

BATTERY OPTION

An available battery pack mounted within the printer can last for 100 pages. Charge up the battery with a universal USB Micro-B charger and the printer is ready to work reliably throughout the day.

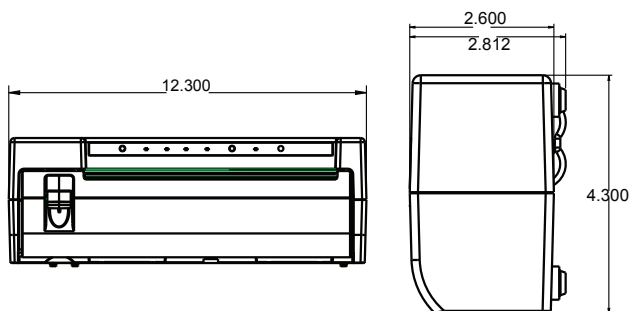
INSTALLATION OPTIONS

A Quick Release Plate can be mounted on either vertical or horizontal surfaces. With the mounting plate affixed, the printer can be attached or removed in seconds without tools. Rubber feet on the rear surface mean the MP2 can be used when set down on a flat surface – printing in or out of the vehicle.

PRINT QUALITY

The printer control electronics monitor several parameters and adjust print speed if necessary to maintain good print quality. Print speed is up to 2 ips for light density printing. Speed may be reduced to limit input current draw to 5 amps when printing darker images and horizontal lines.

RESPONDER MP2 PHYSICAL SPECIFICATIONS



PRODUCT SPECIFICATIONS

Data Interface: USB Standard; Wi-Fi and Bluetooth optional
Input Power: From 9 VDC to 32 VDC – or optional battery pack
- 5 amps maximum while printing
- 20 mA maximum standby

PHYSICAL CHARACTERISTICS

Weight without paper: 3 pounds (1.4 kg)
Shipping weight with paper: 5 pounds (2.3 kg)
Size: 4.3 inches (110 mm) high x 12.1 inches (307 mm) wide x 2.6 inches (66 mm) deep

REGULATORY AND EMC

ISO 7637-2:2004 Road Vehicle Transients Conducted on Power Lines
PITO AES 5 Issue 10
CE and e-mark for EU markets
FCC Part 15, Class A

ENVIRONMENTAL

Operating Temperature: -10°C to +50°C (14°F to 122°F)
Storage/Shipping Temperature: -40°C to +60°C (-40°F to +140°F)
Dust, Splash and Spray: IP54 rating

VIBRATION

Mil-STD-810F method 514.5, Fig. 514.5C1
EN 1789:2007 Medical vehicles and their equipment; Road Ambulances
- Section 6.3.4 Mechanical Strength
- Section 6.3.5 Fixation of Devices

WHO WE ARE

TRANSACT Technologies Incorporated (Nasdaq:TACT) is the leader in developing and manufacturing market-specific printers for transaction-based industries. These industries include food service, casino, gaming, lottery, banking, kiosk, POS, oil, gas, mobile and medical. Each individual market has distinct, critical requirements for printing and the transaction isn't complete until the receipt and/or ticket is produced. TRANSACT printers are designed from the ground up based on market specific requirements and are sold under the Ithaca®, Printrex, Responder and Epic product brands. TRANSACT distributes its products through OEMs, value-added resellers, and selected distributors. TRANSACT has over two million printers installed around the world. TRANSACT has a strong focus on the after-market side of the business, with a high commitment to printer service, supplies, and spare parts. TRANSACT is headquartered in Hamden, CT. For more information on TRANSACT, visit www.TRANSACT-Tech.com or call 203-859-6800.

WHERE TO REACH US

PRINTREX by TRANSACT
One Hamden Center
2319 Whitney Avenue, Suite 3B
Hamden, CT 06518
www.TRANSACT-TECH.com

Customer Service

1-877-748-4222
www.TRANSACTsupplies.com