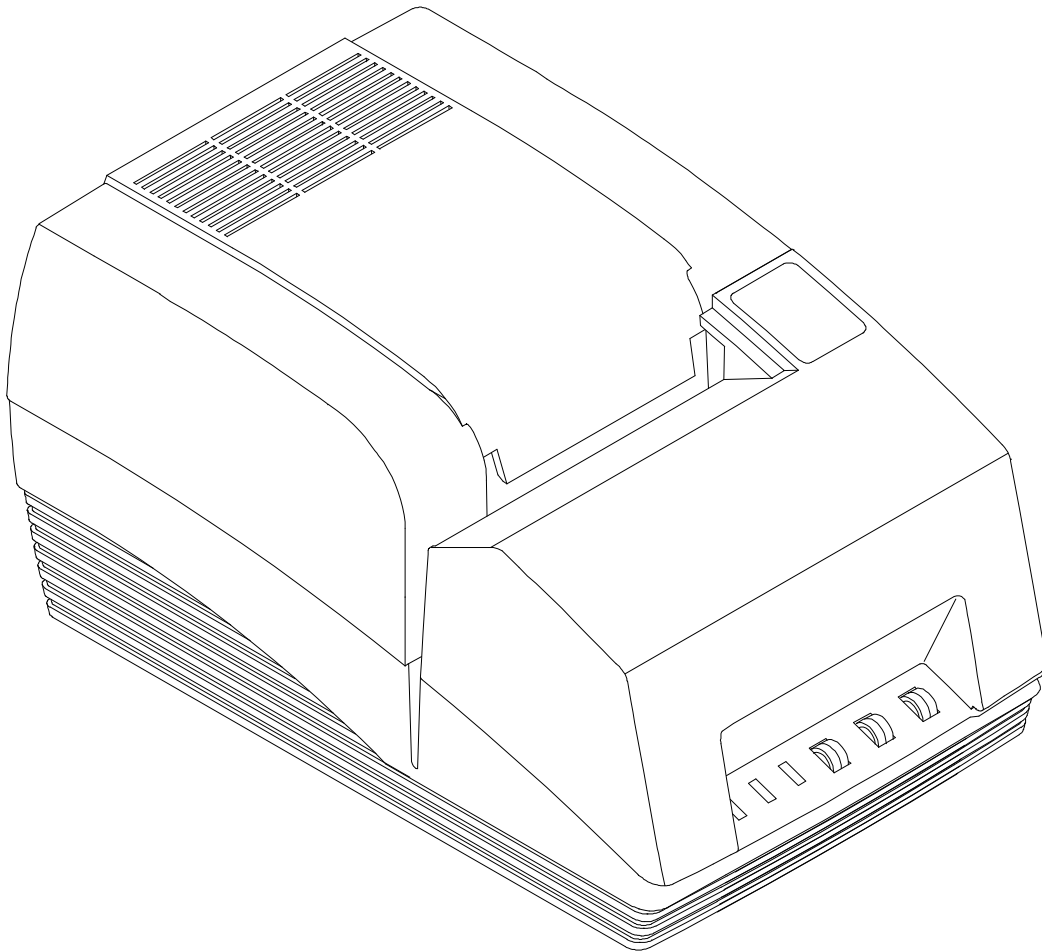


***PcOS SERIES 150***

**Receipt/Validation/Journal Printers**

# **PROGRAMMER'S GUIDE**

**Rev K**



---

**ithaca**<sup>®</sup>  
a product of TRANSACT

**PN: 100-7959  
November, 05**



## Change History

Rev K November 2005  
Added Las Vegas address

Rev J March 2003  
Removed ASB. ASB is not a special order option

Rev I Skipped

Rev H Feb 2003  
Updated disclaimer

Rev. G  
Identity/Name Changes  
Added Telpar emulation  
Added USB description  
Added Redefine Character Set and Euro Character Commands  
Updated Command Summary Tables

Rev. F  
Removed redundant codes on page 82  
Added Option 1: Epson emulation on page 90  
Added Line Feed Before Cut to page 92  
Added SSD Signal to page 96  
Added Epson/Axiom and STAR cash drawer connectors on page 118  
Changed Code 3 of 9 to Code 39

Rev. E  
Reformatted entire document  
Corrected miscellaneous spelling and grammar mistakes  
Changed RS1284 to IEEE 1284

Rev. D Update for Firmware Rev 1.20  
Added NCR2567 emulation commands

Rev. C Update  
Added section on parallel-port PnP  
Added information about the web site  
Added section on Star emulation  
Removed all references to the cover (The Series 150 Printer does not have a switch on the cover.)  
Added trademarks for OKIDATA and Star  
Added Code 93 to bar code section  
Added bar code justification commands

Rev. B Update  
Corrected physical specifications  
Corrected warranty information

Rev. A Initial Release

# Table of Contents PcOS Series 150 Programmer's Guide

© 2003 TransAct Technologies, Inc. All rights reserved.

## NOTICE TO ALL PERSONS RECEIVING THIS DOCUMENT:

The information in this document is subject to change without notice. No part of this document may be reproduced, stored or transmitted in any form or by any means, electronic or mechanical, for any purpose, without the express written permission of TransAct Technologies, Inc. ("TransAct"). This document is the property of and contains information that is both confidential and proprietary to TransAct. Recipient shall not disclose any portion of this document to any third party.

TRANSACT DOES NOT ASSUME ANY LIABILITY FOR DAMAGES INCURRED, DIRECTLY OR INDIRECTLY, FROM ANY ERRORS, OMISSIONS OR DISCREPANCIES IN THE INFORMATION CONTAINED IN THIS DOCUMENT.

Some of the product names mentioned herein are used for identification purposes only and may be trademarks and/or registered trademarks of their respective companies.

TransAct, PowerPocket, Magnetec, Insta-Load, POSjet, Ithaca, 50Plus and "Made to Order. Built to Last" are registered trademarks and BANKjet is a trademark of TransAct Technologies, Inc. IBM is a registered trademark of the International Business Machines Corporation. Epson is a registered trademark of Seiko Epson Corporation. OKIDATA and Microline are registered trademarks of OKI Electric Industry Co., Ltd. Star is a registered trademark of Star Micronics Co., Ltd. Microsoft is a registered trademark of Microsoft Corporation. Windows, Windows NT, and Plug and Play are trademarks of Microsoft Corporation.

## Copyright

© 2003 TransAct Technologies, Inc. All rights reserved.

All rights reserved.

Revision K

Printed in USA.

## Federal Communications Commission Radio Frequency Interference Statement

The Series 150 Printer complies with the limits for a Class A computing device in accordance with the specifications in Part 15 of FCC rules which are designed to minimize radio frequency interference during installation; however, there is no guarantee that radio or television interference will not occur during a particular installation. If this equipment does cause interference to radio or television reception, which can be determined by turning the equipment off and on while the radio or television is on, the user is encouraged to try to correct the interference by one or more of the following measures:

- 
- Reorient the radio or television receiving antenna
  - Relocate the printer with respect to the receiver
  - Plug the printer and receiver into different outlets
- 

The user may need to consult their dealer or an experienced radio/television technician for additional suggestions. The user may find the following booklet prepared by the Federal Communications Commission helpful: *How to Identify and Resolve Radio/TV Interference Problems*.

The booklet is available from the United States Government Printing Office, Washington, DC 20402. Ask for stock number 004-000-00345-4.

# Table of Contents

Change History .....	i
Copyright .....	ii
Federal Communications Commission Radio Frequency Interference Statement.....	ii
Table of Figures .....	vi
Table of Tables .....	vi
<b>Chapter 1: .....</b>	<b>7</b>
<b>Overview of the Series 150 Printer .....</b>	<b>7</b>
Warranty Information .....	7
Service Information .....	7
Ithaca Product Support Procedure .....	7
Return Materials Authorization and Return Policies .....	7
Internet Support .....	8
www.transact-tech.com.....	8
Who should read this book?.....	8
What does it cover?.....	8
Where can you find more information? .....	9
Contacting TransAct's Ithaca Facility.....	9
<b>Chapter 2: .....</b>	<b>10</b>
<b>General Description.....</b>	<b>10</b>
Series 150 Models.....	10
Standard Features.....	10
Model 151: Receipt Printer.....	10
Model 151: Receipt Printer.....	11
Model 152: Receipt/Journal Printer.....	11
Model 153: Receipt/Journal/Validation Printer .....	11
Model 154: Receipt/Validation Printer.....	11
<b>Chapter 3: .....</b>	<b>12</b>
<b>General Specifications.....</b>	<b>12</b>
Printing Specifications.....	12
Character Generation .....	13
<b>Physical Specifications.....</b>	<b>15</b>
Dimensions .....	15
Weight .....	15
<b>Electrical Characteristics.....</b>	<b>15</b>
Self-powered AC .....	15
Interface Specifications.....	16
Media Specifications.....	16
Ribbon .....	16
Receipt Paper .....	16
Receipt/Journal Paper .....	17
Printable Area .....	17
Receipt Printing .....	17
Validation Forms Printing .....	17
Validation - Top Insertion .....	18
Validation - Left-side Insertion.....	18
<b>Chapter 4: .....</b>	<b>19</b>
<b>Control Codes Overview.....</b>	<b>19</b>
Nomenclature.....	19
Standard Emulation .....	20
IPCL Codes.....	20
EPOS Emulation.....	20
Microline Emulation.....	20
Star Emulation .....	20
NCR2567 Emulation .....	21
Telpar Emulation .....	21
<b>Application Development .....</b>	<b>21</b>
Tables and Charts.....	21
<b>Chapter 5: .....</b>	<b>22</b>

<b>Printer Control Commands</b> .....	<b>22</b>
Print/Paper Motion.....	22
Low-level Paper Motion Control.....	22
Function                    Line feed.....	22
<b>Horizontal Motion Control</b> .....	<b>23</b>
Function                    Horizontal tab.....	23
Function                    Back space.....	23
Function                    Set horizontal tab stops.....	23
<b>Horizontal Motion Control (continued)</b> .....	<b>24</b>
<b>Vertical Motion Control</b> .....	<b>25</b>
Function                    Fine line feed.....	25
Function                    Set variable line space in n/216 inch.....	25
<b>Vertical Motion Control (continued)</b> .....	<b>26</b>
<b>Vertical Motion Control (continued)</b> .....	<b>27</b>
<b>Vertical Motion Control (continued)</b> .....	<b>28</b>
<b>Character Font</b> .....	<b>29</b>
<b>Character Font (continued)</b> .....	<b>30</b>
<b>International Character Sets and Code Pages</b> .....	<b>31</b>
<b>Character Print Control</b> .....	<b>37</b>
<b>Character Pitch</b> .....	<b>38</b>
<b>Character Attribute Commands</b> .....	<b>40</b>
<b>Print Rotation Commands</b> .....	<b>46</b>
<b>Graphic Mode</b> .....	<b>51</b>
Standard APA Graphics.....	51
<b>Bar codes</b> .....	<b>54</b>
<b>Receipt Paper Out Sensor</b> .....	<b>58</b>
Validation Operation.....	59
<b>Validation Operation Control</b> .....	<b>60</b>
<b>Miscellaneous Control</b> .....	<b>62</b>
<b>Printer Status Set/Inquire</b> .....	<b>65</b>
Parallel, Non-IEEE 1284 Mode Inquire.....	65
Serial Mode Inquire.....	66
Parallel, IEEE 1284 Mode Inquire.....	66
<b>Inquire Commands</b> .....	<b>67</b>
<b>Extended Diagnostic Commands</b> .....	<b>74</b>
<b>EPOS Codes</b> .....	<b>75</b>
Real-time Status.....	75
EPOS Command Summary.....	76
EPOS Deviations.....	78
Command Descriptions.....	78
<b>MICROLINE Codes</b> .....	<b>81</b>
MICROLINE Command Summary.....	81
<b>Star Codes</b> .....	<b>83</b>
Star Command Summary.....	83
<b>NCR2567 Codes</b> .....	<b>85</b>
NCR Command Summary.....	85
<b>Telpar Codes</b> .....	<b>86</b>
Telpar Command Summary.....	86
<b>Control Codes Summary by Code</b> .....	<b>87</b>
<b>Control Codes Summary by Function</b> .....	<b>91</b>
<b>Chapter 6:</b> .....	<b>96</b>
<b>Operator Panel Controls</b> .....	<b>96</b>
Push Buttons - Momentary Switches.....	96
Indicators.....	96
Fault Indicators.....	97
<b>Chapter 7:</b> .....	<b>98</b>
<b>Product Self-tests</b> .....	<b>98</b>
Level 0 Diagnostics.....	98
Extended Diagnostics.....	98
Self test.....	98
<b>Chapter 8:</b> .....	<b>99</b>
<b>Hex-dump Mode</b> .....	<b>99</b>
<b>Chapter 9:</b> .....	<b>99</b>
<b>Configuration Mode</b> .....	<b>99</b>

Initial Power ON.....	99
Manual Configuration.....	99
Enable Remote Configuration.....	100
<b>Feature Configuration.....</b>	<b>101</b>
General Control.....	111
Vertical Control.....	112
Character.....	112
Interface.....	112
Options.....	112
Save Changes.....	112
<b>Chapter 10: .....</b>	<b>113</b>
<b>Communications Protocol and Print Buffers.....</b>	<b>113</b>
Overview.....	113
<b>Parallel Port.....</b>	<b>116</b>
Parallel Port Protocol.....	116
Printer Buffer Size.....	117
Parallel Port Inquire IEEE 1284.....	117
Parallel Port Inquire (Non-IEEE 1284).....	119
Parallel Port Plug and Play.....	120
Parallel Port Connector.....	121
Signal Levels.....	121
<b>Serial Port.....</b>	<b>122</b>
Serial Port Features.....	122
Serial Port Pin-out.....	122
Serial Port Protocol.....	123
Print Buffer Flow.....	125
Printer Buffer Size.....	128
Serial Port Inquire.....	129
<b>Remote Printer Reset.....</b>	<b>130</b>
Reset in Serial Mode.....	130
Reset in Parallel Mode.....	130
Power-cycle Recovery.....	130
<b>Programmer's Notes.....</b>	<b>131</b>
<b>Chapter 11: .....</b>	<b>132</b>
<b>Cash Drawer Interface.....</b>	<b>132</b>
Interface Description.....	132
Interface Connectors.....	132
<b>Chapter 12: .....</b>	<b>133</b>
<b>Printing Graphics.....</b>	<b>133</b>
Character Graphics.....	133
<b>APA Graphics.....</b>	<b>135</b>
<b>Appendix A Language Tables.....</b>	<b>137</b>
<b>Appendix B ASCII Code Chart.....</b>	<b>139</b>
<b>Appendix C.....</b>	<b>140</b>
<b>Ordering Cables.....</b>	<b>140</b>
General Information.....	140
<b>Index.....</b>	<b>141</b>

**Table of Figures**

Figure 1 Single-wide character cell ..... 14

Figure 2 Character forming ..... 14

Figure 3 Physical dimensions ..... 15

Figure 4 Receipt printable area..... 17

Figure 5 Validation print – top insertion ..... 18

Figure 6 Validation print – left-side insertion ..... 18

Figure 7 Examples of character print..... 38

Figure 8 Example of one-line double-wide print ..... 40

Figure 9 Data sent to printer for one-line double-wide print ..... 40

Figure 10 Example of underline, enhanced, emphasized, superscript, and subscript print..... 45

Figure 11 Paper-error to inquire-request timing ..... 66

Figure 12 Parallel link options..... 112

Figure 13 Typical POS system ..... 113

Figure 14 Host to printer link ..... 113

Figure 15 Printer communications buffer flow..... 114

Figure 16 Parallel port data timing..... 116

Figure 17 PE to ENQ request timing..... 119

Figure 18 Serial port flow control using DTR ..... 123

Figure 19 Serial port flow control XON/XOFF ..... 124

Figure 20 Serial buffer operation..... 125

Figure 21 Print controller using data ..... 127

Figure 22 Inquire flow ..... 129

Figure 23 Receipt with extended graphic characters ..... 134

Figure 24 Receipt with APA graphics ..... 135

**Table of Tables**

Table 1 Normal print zone character specifications ..... 12

Table 2 Wide print zone character specifications ..... 13

Table 3 Power input requirements ..... 15

Table 4 Validation lines ..... 17

Table 5 Language table IDs ..... 31

Table 6 EPOS language table IDs..... 32

Table 7 Code page definition table..... 33

Table 8 EPOS code page definition table ..... 33

Table 9 Euro Character Substitution Matrix..... 36

Table 10 Character Print Control ..... 37

Table 11 Intercharacter spacing table ..... 39

Table 12 Rotated print spacing..... 46

Table 13 Setting Print Margins ..... 61

Table 14 EPOS Command Summary (page 1) ..... 76

Table 15 EPOS Command Summary (page 2) ..... 77

Table 16 MICROLINE Command Summary (page 1) ..... 81

Table 17 MICROLINE Command Summary (page 2) ..... 82

Table 18 Star Command Summary (page 1) ..... 83

Table 19 Star Command Summary (page 2) ..... 84

Table 20 NCR Command Summary ..... 85

Table 21 Telpar Command Summary..... 86

Table 22 Control Codes Summary by Code ..... 90

Table 23 Control Codes Summary by Function..... 95

Table 24 Printer State: Error indicator lights..... 96

Table 25 Startup Diagnostics (Level zero) ..... 98

Table 26 Configurable features ..... 109

Table 27 Parallel port pin-outs ..... 121

Table 28 Serial bit rates..... 122

Table 29 Serial port pin-outs..... 122

Table 30 Ithaca cash drawer connector..... 132

Table 31 Epson/Axiohm cash drawer connector ..... 132

Table 32 Star cash drawer connector..... 132

Table 33 Language Tables..... 137

Table 34 Code page definitions ..... 138

Table 35 ASCII chart..... 139



# Chapter 1:

## Overview of the Series 150 Printer

### Warranty Information

TransAct's Series 150 Printers come with a standard 24-month warranty covering both parts and labor that commences upon shipment from factory. An optional warranty, covering both parts and labor for an additional 12 months, may be purchased separately. For more information concerning the warranty options, please contact the Sales Department at TransAct's Ithaca facility.

### Service Information

TransAct Technologies Incorporated has a full service organization to meet your printer service and repair requirements. If you are experiencing problems that are beyond the scope of the documentation provided, you can directly contact the Ithaca facility's Technical Support Department at (607) 257-8901 or (877) 7ithaca for a return authorization. International customers should contact your distributor for services. TransAct offers the following service programs to meet your needs.

- 
- Extended Warranty
  - Depot Repair
  - Maintenance Contract
  - Internet Support
- 

### Ithaca Product Support Procedure

*Monday through Friday, 8A.M. to 8 P.M. (excluding holidays).*

To obtain technical support, call TransAct's Ithaca Facility at (607) 257-8901 and ask for Technical Support. When you call, please have the following information at hand:

- 
- The Model Number and Serial Number of the printer
  - A list of any other peripheral devices attached to the same port as the printer
  - What application software, operating system, and network (if any) you are using
  - What happened and what you were doing when the problem occurred
  - How you tried to solve the problem
- 

### Return Materials Authorization and Return Policies

If the technical support person determines that the printer should be serviced at our facility, and you want to return the printer for repair, a Returned Materials Authorization (RMA) number must be issued before returning the printer. Repairs are warranted for 90 days from the date of repair or for the balance of the original warranty period, which ever is greater. Please prepare the printer being returned for repair as follows:

- 
- Pack the printer to be returned in the original packing material
  - Packing material may be purchased from TransAct's Ithaca Facility
  - Do not return any accessories unless asked to do so by a support technician
  - Write the RMA number clearly on the outside of the box
-

## Internet Support

### **www.transact-tech.com**

TransAct Technologies Incorporated maintains an Internet web site with content devoted to supporting our products. At our Support Services section for our ithaca brand products you can find documentation for the PcOS Series 150 Printers including a current copy Programmer's Guide. Our on-line support also includes an option to obtain assistance from a technical support specialist by filling out a e-mail assistance request form. Your e-mail will be received by one of our support specialists and they will contact you via a phone call. The PcOS Series 150 Printer support pages offer the latest information. They include the current version of this manual; Master Character Sets, Manual Configuration and Self Test Procedures, and a Configuration Program.

### **Who should read this book?**

This book is intended for System Engineers or System Integrators. It contains the information needed to integrate the Series 150 Printer with a point-of-sale terminal and to program the terminal to communicate with the printer.

### **What does it cover?**

This guide provides the following information:

- 
- Start-up information including diagnostics and fault conditions

---

  - Command descriptions

---

  - Character fonts

---

  - Printer features

---

  - Parallel and RS-232 interface information

---

  - Communications and buffers

---

  - Command code reference tables

---

### Where can you find more information?

An Operator's Guide is available that describes set up and use of the Series 150 Printer. It describes basic procedures such as changing the paper; printing on a form; and replacing the ribbon cassette. A Maintenance Manual is also available. It shows how to repair the Series 150 Printer and lists the replacement parts. The Maintenance Manual is intended for trained, service technicians. For information about ordering these books or programs, refer to the next section.

In addition, there are a number of drivers available that will support various environments.

---

• CFG 90/150 User's Guide	100-01085
• Windows 95 print driver with documentation	100-9167
• Windows NT 4.0 print driver with documentation	100-9170
• OPOS drivers with documentation	100-9732
• Master character set definitions	100-9785

---

### Contacting TransAct's Ithaca Facility

Contact TransAct's Ithaca facility for general information about the PcOS Series 150 Printer and how it works with your system. The Sales and Technical Support Departments will be able to help you with most of your questions. Call the Technical Support Department to receive technical support; order documentation; receive additional information; or send in a printer for service.

To order supplies; receive information about other Ithaca products; or obtain information about your warranty, contact the Sales Department. For information on International distribution, look on our web site at [www.transact-tech.com](http://www.transact-tech.com). You may reach both the Sales and Technical Support Departments at the following address and telephone or fax numbers:

---

TransAct Technologies Incorporated  
Ithaca Facility  
20 Bomax Drive  
Ithaca, NY 14850 USA

---

TransAct Technologies  
World Gaming Headquarters  
& Western Regional Repair Center  
6700 Paradise Road  
Suite D  
Las Vegas, NV 89119 USA

---

Telephone	(877) 7ithaca or (607) 257-8901
Main fax	(607) 257-8922
Sales fax	(607) 257-3868
Technical Support fax	(607) 257-3911
Web site	<a href="http://www.transact-tech.com">http://www.transact-tech.com</a>

## Chapter 2:

# General Description

### Series 150 Models

The four basic Model 150 Series Printers:

- 
- Model 151 Receipt Printer
  - Model 152 Receipt/Journal Printer
  - Model 153 Receipt/Journal/Validation Printer
  - Model 154 Receipt/Validation Printer
- 

### Standard Features

The following features are common to the entire family of printers:

- 
- 340 cps logic-seeking print speed
  - 4.0 inches per second paper feed speed
  - 2.40-inch (normal) or 2.83-inch (wide) print zone
  - Snap on ribbon cassette
  - Dual cash drawer drivers with status
  - Centronics parallel, IEEE 1284, serial RS-232C, or USB interfaces
  - Configurable receive buffer
  - Standard, Epson, Microliner, Star, NCR2567, and Telpar emulations<sup>1</sup>
  - Standard all-points-addressable (APA) or EPOS bit-image graphics
  - Standard and EPOS International Character Sets
  - 8, 10, 12, 15, 17.1, 20, and 24 characters per inch selections
  - Emphasized, enhanced, double-wide, double-high, double-wide double-high, half-high, underline, subscript, superscript, and rotated print
  - Operator-visible print zone
  - Self-diagnostics
  - Setup and configuration utility program
- 

---

<sup>1</sup> Other emulation's can be made available. Contact TransActs' Sales Department for more information. See "Contacting TransAct's Ithaca Facility" on page 9.

**Model 151: Receipt Printer**

The Model 151 receipt printer only provides receipt functions. The last line printed on the receipt is within one inch of the tear-off or cut-off edge. The receipt printing appears right-side up with the total at the bottom as the receipt appears from the top of the printer and is presented to the operator. The receipt printer handles one-, two-, or three-ply paper. The optional cutter is able to cut one- and two-ply paper. The Model 151 printer does not have the ability to validate. Commands that operate validation modes on other Series 150 Printers will not function.

**Model 152: Receipt/Journal Printer**

The Model 152 receipt/journal printer adds the journal feature to the Model 151 receipt printer. The journal take-up is able to rewind the second copy of the 3.5-inch diameter 2-ply paper roll (125 feet). The Model 152 printer does not have the ability to validate. Commands that operate validation modes on other Series 150 Printers will not function.

**Model 153: Receipt/Journal/Validation Printer**

The Model 153 receipt/journal/validation printer adds a validation capability to the Model 152. The validation will accommodate up to 16 lines at 8.0 lines per inch (lpi) or 12 lines at 6.0 lpi. The form is inserted from the front and extends out the left side and/or top of the printer. It rests on a fixed form stop. The validation movement is controlled from the movement of the receipt and journal.

**Model 154: Receipt/Validation Printer**

The Model 154 receipt/validation printer adds validation, as described above, to the Model 151. This is a Model 153 without journal take-up.

## Chapter 3:

# General Specifications

### Printing Specifications

• Printing method	impact dot matrix
• Head wire arrangement	9 pins in line
• Print wire diameter	0.34 mm (0.012 inch)
• Print wire pitch	0.35 mm (0.013 inch)
• Printing directions	bidirectional, logic-seeking
• Print zone	60.96 mm (2.40 inch) or 71.97 mm (2.83 inch)
• Characters per inch	Refer to Table 1 below.
• Characters per line	Refer to Table 1 below.
• Characters per second	Refer to Table 1 below.

Print Pitch Capability (in characters per inch)	Normal 2.40" Maximum Characters per Line	Characters per Second
8	18	220
10	24	275
12	28	330
15	36	340
17.1 (condensed)	41	340
20 (super-condensed)	48	340
24 (super-condensed)	57	340
5 (double-wide)	12	175
6 (double-wide)	14	175
7.5 (condensed, double-wide)	18	175
8.5 (condensed, double-wide)	20	175
10 (super-condensed, double-wide)	24	175
12 (super-condensed, double-wide)	28	175

Table 1 Normal print zone character specifications

**Note:** The Series 150 Compatibility Mode can be set in menu RAM and will limit printing to 40 characters in 17.1 characters per inch (cpi).

Print Pitch Capability (in characters per inch)	Wide 2.83" Maximum Characters per Line	Characters per Second
8	22	(180)
10	28	(250)
12	34	(275)
15	42	(275)
17.1 (condensed)	48	(275)
20 (super-condensed)	56	(275)
24 (super-condensed)	68	(275)
5 (double-wide)	14	(140)
6 (double-wide)	17	(140)
7.5 (condensed, double-wide)	21	(140)
8.5 (condensed, double-wide)	24	(140)
10 (super-condensed, double-wide)	28	(140)
12 (super-condensed, double-wide)	34	(140)

Table 2 Wide print zone character specifications

### Character Generation

All the character sets and modes are based on one of two character cells, 10 wide by 9 high or 12 wide by 9 high. Double-wide mode is twice the width of normal mode, 20 wide by 9 high or 24 wide by 9 high.

In utility print mode, the character cell consists of five full dots and five half dots horizontally by nine full dots vertically. The character cell is 9 by 9. In high speed draft (HSD) mode, the character cell is shortened by one half and one full dot column yielding a 7 by 9 character.

Each character is justified to the left of the cell. The first four columns of the full dots and the first three columns of the half dots are used to generate the character in high speed draft. In utility mode, the first five columns of the full dots and the first four columns of the half dots are used. The last full dot and the last two half dots are used for character spacing in both modes.

The following illustration shows a single-wide character cell.

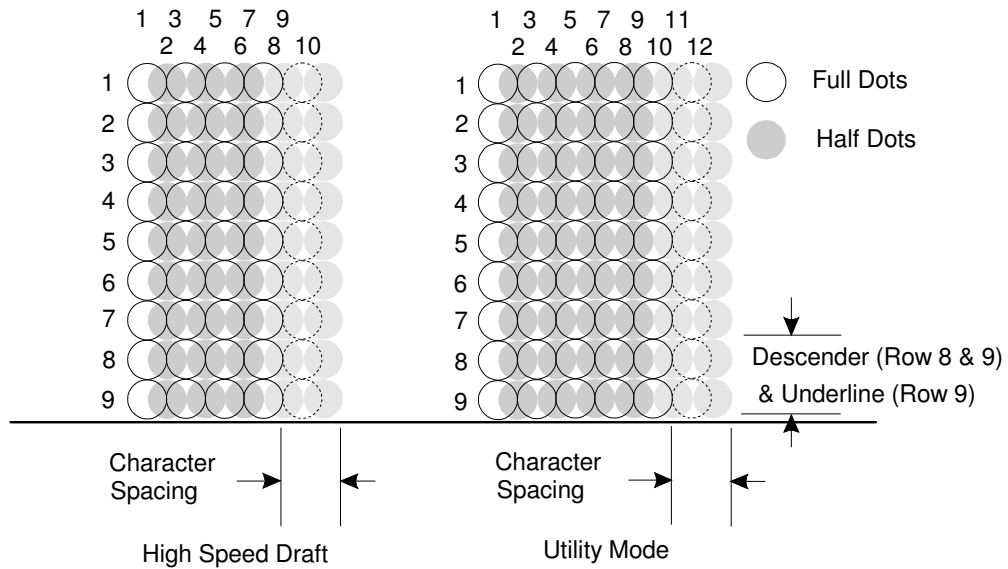


Figure 1 Single-wide character cell

The example above, which only holds true for the 12 cpi mode, shows the full dots as adjacent to each other in the character cell. The 10 cpi mode allows a gap between adjacent full rows; 17 and 24 cpi allow an overlap of full rows. The printer cannot print adjacent full and half dots in any single row. Some graphics (double-density, half-speed) allow adjacent rows to be printed by slowing the print speed by half. Slowing the print speed allows the time between half and full columns to be the same as the time between full columns in full-speed operation.

The following illustration shows the use of full and half dots as well as descenders to form characters.

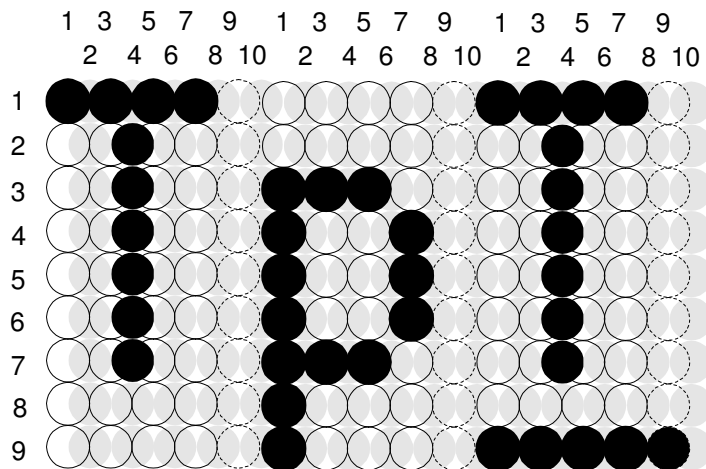


Figure 2 Character forming



# Physical Specifications

## Dimensions

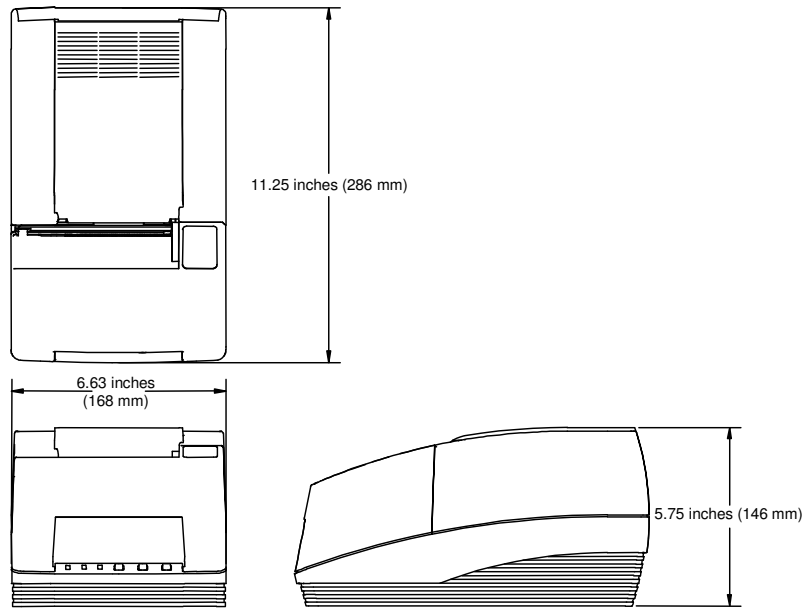


Figure 3 Physical dimensions

## Weight

Approximate weight      7.0 pounds (3.2 kg)  
 Shipping weight          10.0 pounds (4.5 kg)

# Electrical Characteristics

## Self-powered AC

The Series 150 Printer is designed to be AC self-powered in domestic and international markets. The printer is equipped with a universal input power supply that is designed to operate worldwide without modification.

Supply Voltage Rating (VAC)	Supply Voltage Range (VAC)	Frequency (Hz)	Rated Power (watts)	Idle Current (amps)	Printing Current (amps)
100 - 240	90 - 264	47 - 63	45	0.08 @ 120VAC 0.04 @ 240VAC	0.9 @ 120VAC 0.4 @ 240VAC

Table 3 Power input requirements

## Interface Specifications

### Serial

The serial interface is a standard RS-232 interface on a 9-pin D-shell connector. It is defined as a standard DTE device. A null modem cable is required to interface the printer to another DTE device (i.e. a personal computer). See the serial port description later in this manual for more information.

### Parallel

The parallel port is a standard 25-pin D-shell as defined in the IEEE 1284-A standard. See the parallel port description later in this manual for more information.

### USB

The USB interface is a standard Series "B" receptacle as defined in the USB standard. The printer is a self-powered device and does not draw power over the cable.

### Cash Drawer

The Series 150 Printer supports dual cash drawers with status. The interface will provide status and 24 VDC at up to 1.5 amps to the cash drawer. See the cash drawer interface description later in this manual.

## Media Specifications

### Ribbon

• Inking method	Cartridge type	1.8 m seamless ribbon with reinker
• Ink color		Black or purple
• Ribbon life at 25 °C		3 million (black) or 4.5 million (purple) characters to ink depletion <sup>2</sup>
• Manufacturer		Only TransAct approved ribbons should be used.

### Receipt Paper

• Paper feed method	Friction feed
• Paper feed pitch	Default - 0.13 inch (1/8 inch or 3.18 mm); can be set in units of 0.0046 inch (1/216 inch or 0.12 mm) by software command
• Paper width	2.75, 3.00, or 3.25 inches (69.85, 76.20, 82.55 mm)
• Roll diameter	3.50 inches (88.90 mm)
• Paper thickness	0.003 - 0.0035 inch (0.76 - 0.089 mm) at 25 °C
• Roll paper core	Inside diameter 0.44 inch (7/16 inch or 11.11 mm)
• Roll footage (typical)	240 feet (7315 cm)
• Receipt-paper out	Paper exhaust is sensed by software, and printing is prevented at the end of the roll.

<sup>2</sup> The ribbon must be from an approved manufacturer and tested with a rolling ASCII test pattern using 15 characters per inch (cpi) in high speed draft (HSD) mode.

**Receipt/Journal Paper**

• Paper-feed method	Friction feed
• Paper-feed pitch	Default - 0.13 inch (1/8 inch or 3.18 mm); can be set in units of 0.0046 inch (1/216 inch or 0.12 mm) by software command
• Paper width	2.75, 3.00, or 3.25 inches (69.85, 76.20, 82.55 mm)
• Roll diameter	3.50 inches (88.90 mm)
• Paper thickness at 25 °C	Two-ply 0.006 - 0.007 inch (0.15 - 0.18 mm) Three-ply 0.009 - 0.0105 inch (0.23 - 0.27 mm)
• Roll paper core	Inside diameter 0.44 inch (7/16 inch or 11.11 mm)
• Roll footage (typical)	Two-ply 110 feet (3353 cm) Three-ply 70 feet (2134 cm)
• Receipt-paper out	Paper exhaust is sensed by software, and printing is prevented at the end of the roll

**Printable Area**

**Receipt Printing**

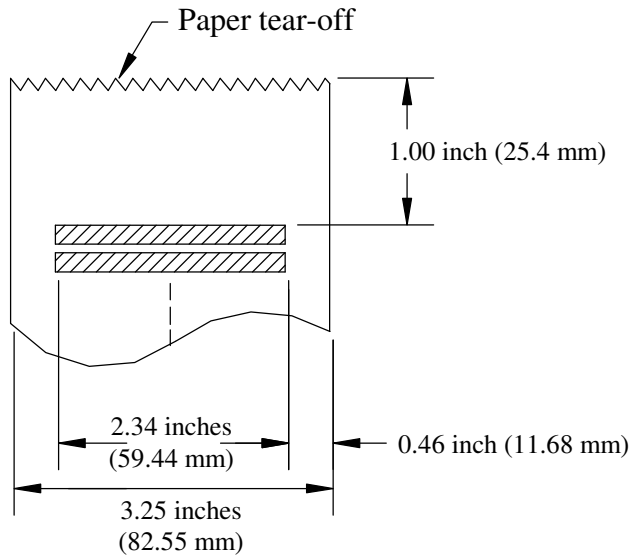


Figure 4 Receipt printable area

**Receipt Printing with the Autocutter**

The paper is cut one inch from the last line of print, which minimizes the wasted paper required when the paper must be moved to the cut-off position.

**Validation Forms Printing**

Lines per inch (lpi)	Lines
8	16
6	12

Table 4 Validation lines

**Validation - Top Insertion**

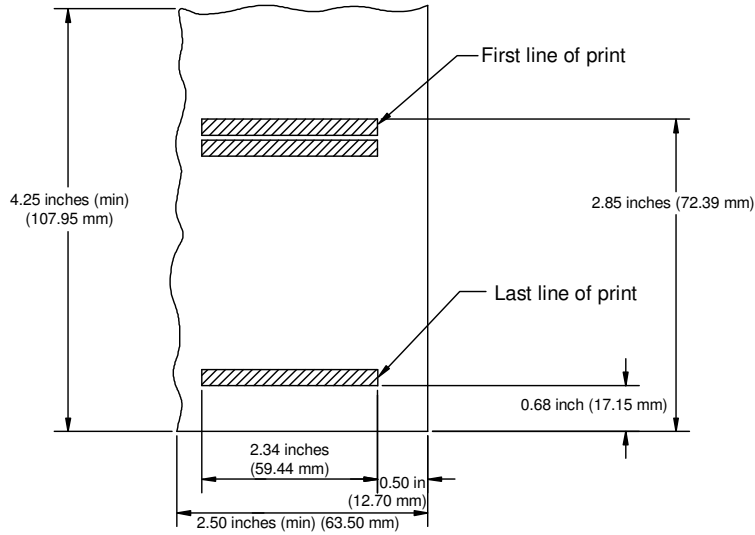


Figure 5 Validation print – top insertion

**Validation - Left-side Insertion**

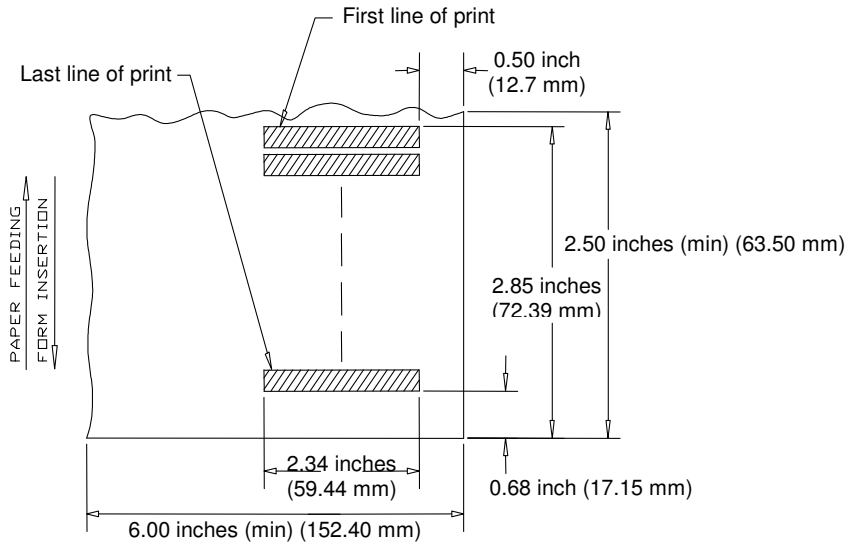


Figure 6 Validation print – left-side insertion

**Validation Forms Insertion**

Form insertion is from the top or the left side of the printer. Automatic form location is under software or firmware control. Character rotation under software control will allow check validation to appear right-side up when the check is removed.

## Chapter 4:

# Control Codes Overview

This programmer's guide is designed to help users of the PcOS Series 150 Printer develop applications. The Series 150 Printer is a point-of-sale (POS) printer that has several features not normally found on general purpose printers. Because of these special features, the Series 150 Printer has distinct control codes. This manual documents the control codes with an emphasis on those codes that are unique to the Series 150 Printer. All PcOS Series 150 Printers have either a serial or parallel interface. Both interfaces provide the same printer control<sup>3</sup> and use the same codes.

### Nomenclature

When describing control codes, there is often confusion as to whether the description is decimal, hexadecimal, or ASCII. To minimize the confusion, this manual will use the following nomenclature when describing control code sequences.

---

[ ]	encloses a control character. This is a single, 8-bit value as defined in the standard ASCII tables. An example would be [ESC], which would represent a 1BH or 27 decimal.
< >	encloses an 8-bit value in decimal format. This value will be from 0 to 255. An example would be <2>, which would represent 02H or 2 decimal.
<n>	indicates a variable parameter. <n> can have a value of from 0 to 255. The meaning of <n> is described and defined in the description of the command.
<n <sub>1</sub> > <n <sub>2</sub> >	indicates that there are two parameters, <n <sub>1</sub> > and <n <sub>2</sub> >, where both can have values from 0 to 255.
<m <sub>1</sub> > <m <sub>2</sub> >	is an IPCL parameter consisting of two digits where <m <sub>1</sub> > and <m <sub>2</sub> > are ASCII characters from 0 to 9. The values will be combined to form a value from 0 to 99. If <m <sub>3</sub> > is included, the parameter will be combined to form a value from 0 to 999.

---

If two values are specified, there must be two bytes added to the IPCL code. In other words, if the command specifies <m<sub>1</sub>> <m<sub>2</sub>> and the desired value is 5, the value must be specified as 05.

---

x	(all other characters in control strings) represent ASCII characters. For example, [ESC] 1 would represent 1BH followed by 31H.
---	---

The CFG150 configuration and demonstration program<sup>4</sup> uses the same nomenclature. Print examples shown in this manual are available for CFG150.

In many cases, applications require that control sequences be specified in hexadecimal or decimal codes. In most cases, commands are specified in ASCII, hexadecimal, and decimal. The table in Appendix B lists ASCII, decimal, and hexadecimal equivalents.

<sup>3</sup> The serial and IEEE 1284 interfaces provide a few additional interface capabilities over the standard parallel interface. Both serial and IEEE 1284 interfaces provide a bidirectional data path.

<sup>4</sup> CFG150 is available from TransAct. The program runs on IBM personal computers and compatibles.

**Standard Emulation**

The standard control codes for the Series 150 Printer are extensions and subsets of the IBM emulation provided on other PcOS products. In all cases, an application designed for a Series 50 Printer with IBM code sets will function with a Series 150 printer. There are, however, more features in the Series 150 Printer that can be used for new applications.

**IPCL Codes**

IPCL (Ithaca Printer Control Language) codes are designed to control a printer without using control characters, i.e., characters less than 20H. Only the standard emulation supports IPCL. Not all commands are supported by IPCL codes. For those commands that are, the IPCL code is listed. In rare cases, an IPCL code will interfere with the text that is to be printed. The IPCL translator can be disabled with an [ESC] y <4> command.

**EPOS Emulation**

ESC/POS<sup>5</sup> is referred to here as EPOS. The Series 150 Printer supports an EPOS emulation with extensions. The emulation is designed to allow the Series 150 Printer to be used with applications that are designed for Seiko Epson printers. It is intended that the standard emulation be used for new applications. Not all of the features of Series 150 Printers are supported by EPOS.

This manual will include the EPOS code equivalent for features of the Series 150 Printer that are supported by EPOS. When EPOS commands are significantly different from the standard emulation, an independent EPOS description is provided.

**Microline Emulation**

The standard control codes for the Series 150 Printer are extensions and subsets of the Microline emulation provided on other PcOS products. In all cases, an application designed for a Series 50 Printer with Microline 150 Printer that can be used for new applications.

**Star Emulation**

The standard control codes for the Series 150 Printer are extensions and subsets of the Star emulation provided on other PcOS products. In all cases, an application designed for a Series 50 Printer with Star code sets will function with a Series 150 Printer. There are, however, more features in the Series 150 Printer that can be used for new applications.

---

<sup>5</sup> ESC/POS is a registered trademark of the Seiko Epson Corporation.

**NCR2567 Emulation**

The standard control codes for the Series 150 Printer are extensions and subsets of the NCR2567 emulation provided on other PcOS products. In all cases, an application designed for a Series 50 Printer with NCR2567 code sets will function with a Series 150 Printer. There are, however, more features in the Series 150 Printer that can be used for new applications.

**Telpar Emulation**

The standard control codes for the Series 150 Printer are extensions and subsets of the Telpar emulation provided on other PcOS products. In all cases, an application designed for a Series 50 Printer with Telpar code sets will function with a Series 150 Printer. There are, however, more features in the Series 150 Printer that can be used for new applications.

---

**Application Development**

To aid in application development and help the programmer understand the Series 150 Printer, this manual is broken down into two major sections. The first section is a detailed description of each of the commands. The second section is an explanation of how the printer works. It explains the internal print buffer, the communications link, and how the host computer and printer interact.

**Tables and Charts**

Throughout this guide, there are charts and tables that list commands and features. In most cases, the charts cross reference the page that describes the command. Commands are grouped by function and can at times be hard to find. To minimize the time it takes to find commands, there are two code summary charts in the following section, one ordered by code and one by function.

---

## Chapter 5:

# Printer Control Commands

## Print/Paper Motion

---

### Low-level Paper Motion Control

<b>Function</b>	<b>Carriage return</b>
<b>ASCII</b>	[CR]
<b>Hexadecimal</b>	0DH
<b>Decimal</b>	<13>
<b>IPCL</b>	&%CR
<b>EPOS</b>	0DH

**Description** This command prints the contents of the print buffer (if any) and resets the next character print position to the left margin. A line feed is not performed unless autofeed was active. The left margin is defined by the current print station, the print rotation direction, and the left margin command.

**Note:** In single-line mode, the [CR] is used to terminate all lines. The printer will go busy<sup>6</sup> after the [CR] is received. The printer will not be ready to accept data again until the previous data has printed.

---

<b>Function</b>	<b>Line feed</b>
<b>ASCII</b>	[LF]
<b>Hexadecimal</b>	0AH
<b>Decimal</b>	<10>
<b>IPCL</b>	&%LF
<b>EPOS</b>	0AH

**Description** This command prints the contents of the buffer (if any) and advances the paper one line at the current default line spacing. The next character print position is not reset to the left margin unless auto-CR is active.

---

<sup>6</sup> In one-line mode, the parallel port busy signal will occur as a result of receiving the [CR].

In serial mode, the busy indication will be delayed until the [CR] is processed by the input software. Data sent to the printer after the [CR] will not be lost unless the printer is power cycled.



## Horizontal Motion Control

There are several commands that can control the horizontal position of characters. Many applications use space control to position fields. However, there is the ability to control character position with horizontal tab stops. This is done by using the horizontal tab [HT] to move to those tab stops.

---

### Function      Horizontal tab

ASCII	[HT]
Hexadecimal	09H
Decimal	<9>
IPCL	&%HT
EPOS	[HT]

**Description**      This command inserts spaces in the print buffer up to the next tab stop. The default tab locations are every 8 spaces.

---

### Function      Back space

ASCII	[BS]
Hexadecimal	08H
Decimal	<8>
IPCL	&%BS
EPOS	[BS]

**Description**      This command prints the data in the print buffer and shifts the current horizontal position by one character width to the left. If the current position is at the left margin, the [BS] is ignored.

---

### Function      Set horizontal tab stops

ASCII	[ESC] D <n <sub>1</sub> > <n <sub>2</sub> > <n <sub>3</sub> > ... <n <sub>i</sub> > 0
Hexadecimal	1BH 44H <n <sub>1</sub> > <n <sub>2</sub> > <n <sub>3</sub> > ... <n <sub>i</sub> > 00H
Decimal	<27> <68> <n <sub>1</sub> > <n <sub>2</sub> > <n <sub>3</sub> > ... <n <sub>i</sub> > <0>
IPCL	none
EPOS	[ESC] D <n <sub>1</sub> > <n <sub>2</sub> > <n <sub>3</sub> > ... <n <sub>i</sub> > 0

**Description**      This command sets tab stops at the character columns specified by <n>. The end of the setting is specified by a <0>. All previously set tabs will be cleared by this command. There is no restore-defaults procedure other than to respecify the tabs. The power up default is every 8 spaces, i.e., 9, 17, 25, etc. Column sizes are in accordance with the current character pitch. Setting tabs that are beyond the station width is possible. A [CR] will be inserted if the tab is used. Printing will begin at the home position.

---

## Horizontal Motion Control (continued)

---

---

### Function      **Reset horizontal and vertical tab stops**

ASCII            [ESC] R  
Hexadecimal    1BH 52H  
Decimal         <27> <82>  
IPCL            &%HV  
EPOS            none

**Description**      This command resets horizontal and vertical tab stops to power up configuration. The power up horizontal default is every 8 spaces, i.e., 9, 17, 25, etc. The vertical default is every line.

---

### Function      **Set justification**

ASCII            [ESC] a <n>  
Hexadecimal    1BH 61H <n>  
Decimal         <27> <97> <n>  
IPCL            &%JL, &%JC, &%JR  
EPOS            [ESC] a <n>

**Description**      This command sets the horizontal justification.

**Where <n>**        0 = left justified            &%JL  
                      1 = center justified        &%JC  
                      2 = right justified         &%JR

The print format can be right, center, or left justified. The value of <n> specifies the justification. The power on default is left justified.

**Note:**              Lines that have mixed size characters cannot be centered. For example, a line with mixed single- and double-high cannot be centered. If a line of print is to be double-high and centered, the change to single-high must be done after the line terminator for the double-high line.

**Example:**        [ESC] W <3> Centered [ESC] W <0> [CR] will not print correctly because the printer assumes that more data will follow the [ESC] W <0>. This should be [ESC] W <3> Centered [CR] [ESC] W <0>.

**Note:**              Several line graphic characters stress the printer. If the printer is to print a very dark area, it will do it in steps. The stepping operation only works in left justified mode. In general, this will not cause a problem because the printer will print several black blocks in a row before the stepping program is activated. Autocenter and line graphics should be avoided because of character alignment.

**Note:**              Justify commands do not affect graphics.

---

## Vertical Motion Control

---



---

### Function      **Fine line feed**

<b>ASCII</b>	[ESC] J <n>
<b>Hexadecimal</b>	1BH 4AH <n>
<b>Decimal</b>	<27> <74> <n>
<b>IPCL</b>	&%FM <m <sub>1</sub> > <m <sub>2</sub> > <m <sub>3</sub> >
<b>EPOS</b>	[ESC] J <n>

**Description**      This command prints the contents of the buffer (if any) and performs a line feed of n/216 inch. This command does not change the default line spacing value. The next character print position is reset to the left margin.

Example of Fine Line Feed[CR] [ESC]J<54>  
This line is 1/4" below the first.[CR][LF]  
This line is spaced at the default of 1/8".[CR][LF]

**EPOS Note:**      In EPOS mode, this command performs line feeds in n/144-inch increments.

---

### Function      **Set variable line space in n/216 inch**

<b>ASCII</b>	[ESC] 3 <n>
<b>Hexadecimal</b>	1BH 33H <n>
<b>Decimal</b>	<27> <51> <n>
<b>IPCL</b>	&%SV <m <sub>1</sub> > <m <sub>2</sub> > <m <sub>3</sub> >
<b>EPOS</b>	[ESC] 3 <n>

**Description**      This command sets the default line spacing in n/216 inch. Set n = 1 to 255. This command takes effect immediately and sets the line feed spacing used by [LF] to values other than 1/8 or 7/72 inch.

**EPOS Note:**      Line spacing of n/144 is used.

---

### Function      **Set line space to 27/216 inch**

<b>ASCII</b>	[ESC] 0
<b>Hexadecimal</b>	1BH 30H
<b>Decimal</b>	<27> <48>
<b>IPCL</b>	&%ST
<b>EPOS</b>	[ESC] 2

**Description**      This command sets the text default line spacing to 1/8 or 27/216 inch which is the standard eight lines per inch line spacing at initial power up.

**EPOS Note:**      In EPOS mode, this command sets 1/6-inch spacing or 6 lines per inch.

---

## Vertical Motion Control (continued)

---

---

**Function**      **Set line space 21/216 or 7/72 inch**

**ASCII**            [ESC] 1  
**Hexadecimal**    1BH 31H  
**Decimal**         <27> <49>  
**IPCL**            &%SG  
**EPOS**            none

**Description**    This command sets the default line spacing to 21/216 inch. This line spacing is for all-points-addressable (APA) graphics printing.

---

**Function**      **Set variable line space n/72 inch**

**ASCII**            [ESC] A <n>  
**Hexadecimal**    1BH 41H <n>  
**Decimal**         <27> <65> <n>  
**IPCL**  
**EPOS**            none

**Description**    This command sets default line spacing to n/72. Set n = 1 to 85. This line spacing does not take effect until enabled by the [ESC] 2 command. This command is provided to maintain backward compatibility with the Series 50, OKIDATA, IBM, and other printers. It can also be used to print on preprinted forms.

---

**Function**      **Enable [ESC] A <n> line spacing**

**ASCII**            [ESC] 2  
**Hexadecimal**    1BH 32H  
**Decimal**         <27> <50>  
**IPCL**            none  
**EPOS**            none

**Description**    [ESC] 2 enables [ESC] A <n> line spacing. This is a companion to the [ESC] A <n> command and puts the specified line spacing into effect. It will remain in effect until another line spacing command is issued.

---

**Function**      **Feed <n> lines at current spacing**

**ASCII**            [ESC] d <n>  
**Hexadecimal**    1BH 64H <n>  
**Decimal**         <27> <100> <n>  
**IPCL**            &%FL <m<sub>1</sub>> <m<sub>2</sub>>  
**EPOS**            [ESC] d

**Description**    This command prints the contents of the buffer (if any) and performs <n> line feeds at the current line spacing. This command does not change the default line spacing value. The next character print position is reset to the left margin.

**Note:**            The IPCL command will print from 00 to 99 lines. For example, if you wish to feed 12 lines, the IPCL command would be &%FL12.

---

## Vertical Motion Control (continued)

---



---

### Function      Vertical tab

ASCII	[VT]
Hexadecimal	0BH
Decimal	<11>
IPCL	&%VT
EPOS	(VT)

**Description**      The printer sets a line counter to the top of the form whenever a station is selected. By setting vertical tab stops, various form positions can be reached with a [VT] operation.

---

### Function      Set vertical tab stops

ASCII	[ESC] B <n <sub>1</sub> > <n <sub>2</sub> > <n <sub>3</sub> > ... <n <sub>i</sub> > 0
Hexadecimal	1BH 42H <n <sub>1</sub> > <n <sub>2</sub> > <n <sub>3</sub> > ... <n <sub>i</sub> > 00H
Decimal	<27> <66> <n <sub>1</sub> > <n <sub>2</sub> > <n <sub>3</sub> > ... <n <sub>i</sub> > <0>
IPCL	none
EPOS	[ESC] B <n <sub>1</sub> > <n <sub>2</sub> > <n <sub>3</sub> > ... <n <sub>i</sub> > 0

**Description**      This command sets tab stops at line positions specified by <n>. The end of the setting is specified by a <0>. All previously set tabs will be cleared by this command. There can be a total of 64 tab stops specified by this command. The power on default is a tab stop at 1-inch intervals.

---

### Function      Form feed

ASCII	[FF]
Hexadecimal	0CH
Decimal	<12>
IPCL	&%FF
EPOS	none

**Description**      This command performs a form feed to the top of the form.

---

### Function      Set top of form

ASCII	[ESC] 4
Hexadecimal	1BH 34H
Decimal	<27> <52>
IPCL	&%TF
EPOS	[ESC] L

**Description**      This command sets the top of form to the current position.

---

## Vertical Motion Control (continued)

---

---

**Function      Set form length in lines**

**ASCII**            [ESC] C <n>  
**Hexadecimal**    1BH 43H <n>  
**Decimal**         <27> <67> <n>  
**IPCL**            &%SL <m<sub>1</sub>> <m<sub>2</sub>>  
**EPOS**            [ESC] C <n>

**Description**    This command sets the form length to <n> lines at the current line spacing.

---

**Function      Set form length in inches**

**ASCII**            [ESC] C [NUL] <n>  
**Hexadecimal**    1BH 43H <0> <n>  
**Decimal**         <27> <67> <0> <n>  
**IPCL**            &%SI <m<sub>1</sub>> <m<sub>2</sub>>  
**EPOS**            none

**Description**    This command sets the form length to <n> inches.

---

**Function      Begin auto line feed**

**ASCII**            [ESC] 5 <01>  
**Hexadecimal**    1BH 35H 01H  
**Decimal**         <27> <53> <01>  
**IPCL**            &%MA  
**EPOS**            none

**Description**    This command sets auto line feed mode.  
**Note:**            This overrides the configuration setting.

---

**Function      End auto line feed**

**ASCII**            [ESC] 5 <0>  
**Hexadecimal**    1BH 35H 00H  
**Decimal**         <27> <53> <0>  
**IPCL**            &%CA  
**EPOS**            none

**Description**    This command ends auto line feed mode.  
**Note:**            This overrides the configuration setting.

---

**Function      Reverse line feed**

**ASCII**            [ESC] ]  
**Hexadecimal**    1BH 5DH  
**Decimal**         <27> <93>  
**IPCL**            &%LR  
**EPOS**            none

**Description**    This command performs a reverse line feed at the current line spacing.

**Note:**            The receipt station can tolerate no more than 1/2 inch of reverse feed.  
**Note:**            This command is not available in models with validation.

---

# Character Font

## Function      **Begin High Speed Draft (HSD) Mode**

**ASCII**            [ESC] # <0>  
**Hexadecimal**    1BH 23H 00H  
**Decimal**         <27> <35> <0>  
**IPCL**             &%QT  
**EPOS**            [ESC] ! <n>

**Description**    This command begins high speed draft print mode (one pass, 7 x 7 font). Enhanced, emphasized, subscript, superscript, and underline character attributes are not available in this mode. To maintain optimum print speed, the printer should be returned to HSD mode when possible.

## Function      **Select print quality mode**

**ASCII**            [ESC] I <n>  
**Hexadecimal**    1BH 49H 00H  
**Decimal**         <27> <73> <0>  
**IPCL**             &%QT High Speed Draft (HSD)  
                      &%QU Utility  
                      &%QL Near Letter Quality (NLQ) Courier  
                      &%QS Near Letter Quality (NLQ) Sans Serif  
**EPOS**            [ESC] x <n> and/or [ESC] ! <n>

**Description**    This command begins utility or NLQ print mode.

**Where n**         0 = HSD  
                      1 = Utility  
                      2 = NLQ Courier  
                      3 = NLQ Sans Serif  
                      4 - 7 repeats 0 - 3

Utility mode is a one pass, 9 x 7 font. Utility print mode enables enhanced, emphasized, subscript, superscript, and underline character attributes. Print speed is reduced approximately 20% over HSD mode. NLQ Courier and Sans Serif print modes are each two pass, 9 x 7 fonts. The print speed is reduced and character features are added to the font to enhance the appearance.

**EPOS Note:**    [ESC] x is identical to [ESC] I in normal mode. [ESC] ! <n> performs a similar function; however, NLQ is not available.

**Where n-bits**    76543210      Function  
                      1-----      Underline  
                      --1-----    Double-wide  
                      ---1-----   Double-high  
                      -----X      Font: 1 = Utility, 0 = HSD

---

## Character Font (continued)

---

**Function**      **Begin 90° rotated font**

ASCII	[ESC] P <1>
Hexadecimal	1BH 50H 1H
Decimal	<27> <80> <1>
IPCL	&%RF{n=1} &%RN{n=0}
EPOS	[ESC] V <n>

**Description**      This command rotates the print font by 90°. The print font is a one pass, 7 x 10 font. Enhanced, emphasized, subscript, superscript, and underline character attributes are not available in this mode. Double-wide and double-high print are available in 90° rotated mode. However, because the font is rotated, double-wide print will make the characters taller and double-high print will make the characters wider.

The current pitch sets the spacing between lines. If eight cpi is set, the printer will produce the equivalent of eight lines per inch rotated print. Print pitches greater than 12 cpi are small and difficult to read. This mode prints faster than the formatted, rotated print mode. However, there is no formatting in this mode.

**Note:**              Line graphic characters (<176> to <223>) print unrotated.

**EPOS Note:**      In EPOS mode if <n> = 0, rotation is turned off. If <n> = 1, the pitch is set to ten cpi. If <n> = 2, the cpi is set to eight.

---

**Function**      **Begin 270° rotated font**

ASCII	[ESC] P <2>
Hexadecimal	1BH 50H 2H
Decimal	<27> <80> <2>
IPCL	&%RI{n=2} &%RN{n=0}
EPOS	none

**Description**      This command rotates the print font by 270°. The print font is a one pass, 7 x 10 font. Enhanced, emphasized, subscript, superscript, and underline character attributes are not available in this mode. Double-wide and double-high print are available in 270° rotated mode. However, because the font is rotated, double-wide print will make the characters taller and double high will make the characters wider.

---

**Function**      **End rotated font**

ASCII	[ESC] P <0>
Hexadecimal	1BH 50H 00H
Decimal	<27> <80> <0>
IPCL	&%RN
EPOS	[ESC] V <n>

**Description**      This command returns the print font to normal nonrotated mode.

**Note:**              This command leaves the printer in utility mode.



## International Character Sets and Code Pages

The Series 150 Printer supports 65 different international character sets. In IBM and EPOS printers, there has historically been two ways of selecting a character set. The first way substitutes international characters in the upper 128 characters of the standard character set to support different countries. As time passed, this approach became difficult to support. It became a problem for the application to match the characters displayed and the characters printed. To solve the problem, code pages were developed. The printer and the display could use the same code page and the application would then display and print the same characters. IBM and EPOS defined new commands to select code pages and left the old commands in effect. The Series 150 Printer supports international character sets as well as code pages. However, both methods are extended in the Series 150 Printer. This is to allow the most flexibility for the application programmer. In IBM mode, there are 19 character sets and 60 code pages. In EPOS mode, there are 57 character sets and five code pages.<sup>7</sup>

The Series 150 Printer has extended the IBM code page selection command to allow the character sets as well as normal IBM code pages to be selected. The EPOS character set select command has been extended to allow additional character sets over and above the 11 defined by EPOS. The EPOS code page select command has not been extended as there is no EPOS definition beyond the first six ID's.

All characters in code pages as well as character sets are addressed as 0 through 255. (Characters below 32 must be addressed with the [ESC] ^ <n> command.) Code pages may be changed at any time and are active for all features including rotated print. As discussed above, there are two commands for language selection in IBM mode. The first is [ESC] ! which will select one of 19 international character sets. This command will not select all the possible sets and is provided for compatibility with older programs. The second is [ESC] [ T which will select any of the 58 code pages. In EPOS mode, the command [ESC] R has been expanded and will select any of the 59 international character sets or code pages.

Function	Select international character set
ASCII	[ESC] ! <n>
Hexadecimal	1BH 21H
Decimal	<27> <33>
IPCL	&%CS <n>
EPOS	[ESC] R <n>

**Description** This command selects the international character set, <n>. In standard mode, the value of <n> is as follows:

<n>	Language	<n>	Language	<n>	Language
64-'@'	ASCII (slashed zero)	71-'G'	Norwegian	78-'N'	Swedish IV
65-'A'	ASCII (unslashed zero)	72-'H'	Dutch	79-'O'	Turkish
66-'B'	British	73-'I'	Italian	80-'P'	Swiss I
67-'C'	German	74-'J'	French Canadian	81-'Q'	Swiss II
68-'D'	French	75-'K'	Spanish		
69-'E'	Swedish	76-'L'	Swedish II		
70-'F'	Danish	77-'M'	Swedish III		

Table 5 Language table IDs

<sup>7</sup> Epson provides limited code page support through ID to code page translation. Only six translations are defined.

Country Code/ Language Set	Epson ID	Country Code/ Language Set	Epson ID	Country Code/ Language Set	Epson ID
ASCII	0	Swiss II	20	Windows Greek	50
French	1	Cyrillic II-866	21	Latin 5 (Windows Turkey)	51
German	2	Polska Mazovia	22	Windows Cyrillic	52
British	3	ISO Latin 2	23	Hungarian CWI	54
Danish I	4	Serbo Croatic I	24	Kamenicky (MJK)	55
Swedish I	5	Serbo Croatic II	25	ISO Latin 4 (8859/4)	56
Italian	6	Multilingual	26	Turkey_857	57
Spanish I	7	Norway	27	Roman-8	58
Japanese	8	Portugal	28	Hebrew NC (862)	60
Norwegian	9	Turkey	29	Hebrew OC	61
Danish II	10	Greek 437	38	Windows Hebrew	62
Spanish II	11	Greek 928	39	KBL- Lithuanian	63
Latin American	12	Greek 437 CYPRUS	42	Ukrainian	66
French Canadian	13	ECMA-94	43	ISO Latin 6 (8859/10)	67
Dutch	14	Canada French	44	Windows Baltic	68
Swedish II	15	Cyrillic I-855	45	Cyrillic-Latvian	69
Swedish III	16	Cyrillic II-866	46	Bulgarian	72
Swedish IV	17	East Europe Latin II-852	47	Icelandic-861	73
Turkish	18	Greek 869	49	Baltic 774	74
Swiss I	19	Windows East Europe			

Table 6 EPOS language table IDs

Note: There is a demonstration script distributed with the CFG150 program that will print a complete character chart for IBM or EPOS modes. See the CFG150 distribution disk.

**Function Select character code page**

ASCII [ESC] [ T <n<sub>h</sub>> <n<sub>l</sub>>  
 Hexadecimal 1BH 5BH 54H <n<sub>h</sub>> <n<sub>l</sub>>  
 Decimal <27> <91> <84> <n<sub>h</sub>> <n<sub>l</sub>>  
 IPCL &%CP <m<sub>1</sub>> <m<sub>2</sub>> <m<sub>3</sub>> <m<sub>4</sub>>  
 EPOS [ESC] t <n>

**Description** This command selects the character code page <n<sub>h</sub>> <n<sub>l</sub>>. The Series 150 Printer supports many code pages. The following code pages are supported.

Code Page	Country Code/ Language Set	Decimal <n <sub>h</sub> > <n <sub>l</sub> >	Hex <n <sub>h</sub> > <n <sub>l</sub> >	Code Page	Country Code/ Language Set	Decimal <n <sub>h</sub> > <n <sub>l</sub> >	Hex <n <sub>h</sub> > <n <sub>l</sub> >
64	USA (slashed zero)	0,64	0H,040H	866	Cyrillic II-866	3,98	3H,062H
65	USA (unslashed zero)	0,65	0H,041H	869	Greek 869	3,101	3H,065H
66	British	0,66	0H,042H	874	Thailand	3,106	3H,06AH
67	German	0,67	0H,043H	895	Kamenicky (MJK)	3,127	3H,07FH
68	French	0,68	0H,044H	1008	Greek 437	3,240	3H,0F0H
69	Swedish I	0,69	0H,045H	1009	Greek 928	3,241	3H,0F1H
70	Danish	0,70	0H,046H	1011	Greek 437 Cyprus	3,243	3H,0F3H
71	Norwegian	0,71	0H,047H	1012	Turkey	3,244	3H,0F4H
72	Dutch	0,72	0H,048H	1013	Cyrillic II-866	3,245	3H,0F5H
73	Italian	0,73	0H,049H	1014	Polska Mazovia	3,246	3H,0F6H
74	French Canadian	0,74	0H,04AH	1015	ISO Latin 2	3,247	3H,0F7H
75	Spanish	0,75	0H,04BH	1016	Serbo Croatian I	3,248	3H,0F8H
76	Swedish II	0,76	0H,04CH	1017	Serbo Croatian II	3,249	3H,0F9H
77	Swedish III	0,77	0H,04DH	1018	ECMA-94	3,250	3H,0FAH
78	Swedish IV	0,78	0H,04EH	1019	Windows East Europe	3,251	3H,0FBH
79	Turkish	0,79	0H,04FH	1020	Windows Greek	3,252	3H,0FCH
80	Swiss I	0,80	0H,050H	1021	Latin 5 (Windows Turkey)	3,253	3H,0FDH
81	Swiss II	0,81	0H,051H	1022	Windows Cyrillic	3,254	3H,0FEH
90	Publisher	0,90	0H,05AH	1024	Hungarian CWI	4,0	4H,000H
91	Welsh	0,91	0H,05BH	1026	ISO Latin 4 (8859/4)	4,2	4H,002H
437	USA	1,181	1H,0B5H	1027	Ukrainian	4,3	4H,003H
774	Baltic 774	3,6	3H,006H	1028	Roman-8	4,4	4H,004H
850	Multilingual	3,82	3H,052H				
852	East Europe Latin II-852	3,84	3H,054H	1029	ISO Latin 6 (8859/10)	4,5	4H,005H
855	Cyrillic I-855	3,87	3H,057H	1030	Hebrew NC (862)	4,6	4H,006H
857	Turkey 857	3,89	3H,059H	1031	Hebrew OC	4,7	4H,007H
860	Portugal	3,92	3H,05CH	1032	Windows Hebrew	4,8	4H,008H
861	Icelandic-861	3,93	3H,05DH	1033	KBL- Lithuanian	4,9	4H,009H
862	Hebrew NC (862)	3,94	3H,05EH	1034	Windows Baltic	4,10	4H,00AH
863	Canada French	3,95	3H,05FH	1035	Cyrillic-Latvian	4,11	4H,00BH
865	Norway	3,97	3H,061H	1072	Bulgarian	4,48	4H,030H

Table 7 Code page definition table

**Note:** The code page field is a 16-bit field that is equivalent to the code page number. For example, 1 \* 256 + 181 = 437. For the IPCL command, the page is specified in ASCII as a 4-byte field.

**EPOS Note:** EPOS defines <n> as follows:

<n>	Character Code Page	<n>	Character Code Page
0	Code Page 437	3	Code Page 860
1	Not supported	4	Code Page 863
2	Code Page 850	5	Code Page 865

Table 8 EPOS code page definition table

<b>Function</b>	<b>Print control character</b>
ASCII	[ESC] ^ <n>
Hexadecimal	1BH 5EH <n>
Decimal	<27> <94> <n>
IPCL	&%CC <m <sub>1</sub> > <m <sub>2</sub> > <m <sub>3</sub> >
EPOS	[ESC] ^ <n>
<b>Description</b>	This command allows characters from 0 to 31 codes to be printed. During normal operation, characters from 0 to 31 are control characters. This command turns off the control code translation for the following character. <n> can be from 0 to 255.

<b>Function</b>	<b>Redefine Character Set</b>
ASCII	[ESC] [ S <L <sub>L</sub> > <L <sub>H</sub> > <B <sub>C</sub> > <T <sub>1L</sub> ><T <sub>1H</sub> ><T <sub>2L</sub> ><T <sub>2H</sub> ><T <sub>3L</sub> ><T <sub>3H</sub> > ... <T <sub>nL</sub> > <T <sub>nH</sub> >
Hexadecimal	1BH 5BH 40H ...
Decimal	<27> <91> <64>
IPCL	none
EPOS	none
<b>Description</b>	This command allows an application to replace or redefine the active character set mapping in the printer.

Where

- <L<sub>L</sub>> <L<sub>H</sub>> defines the total length of the following data:
- $\langle L_L \rangle + 256 * \langle L_H \rangle = 1 + 2 * \dots$  is the total number of characters to be replaced.
- <B<sub>C</sub>> is the first character in the active map to be replaced.
- <T<sub>1H</sub>> <T<sub>1L</sub>><sup>8</sup> is the internal address of the replacement character image.

The mapping of a print pattern to each character address is referred to as a code page or character set. At any given time, the printer character set is comprised of 256 characters. Each character is addressed by an 8-bit value generally referred to as a character code. For example if you want to print an 'A,' the character would be addressed by sending a <65> decimal to the printer. There are 65 predefined code pages or character maps that assign characters to a particular address built into the printer. However, there are times when an application would like to redefine a character or group of characters in a code page. To be able to redefine characters, the Series 90PLUS Printer allows the map for any code page to be replaced. The "Define Character Set" command allows any character or group of characters to be replaced with any other printable character. There are over 500 printable master characters defined in the printer. For example, to redefine the character map for the 35th character and replace it with internal master character 346, the "Redefine Character Set" command is used as follows:

```
[ESC] [ S <3> <0> <35> <90> <1>
^^^^ ^^ ^^^^^^
| | +- 346th Character in the Master set
| | [ (1*256) + 90 ]
| +----- 35th Character
+----- 3 Bytes to follow [ (0*256) + 3 ]
```

The new map will remain until the printer is power cycled or the character set is redefined. The code page and character set commands completely redefine the table.

<sup>8</sup> The internal character map is provided in the *Master Character Set Definitions Guide* (PN 100-9785).

---

**Function Character font image download**

<b>ASCII</b>	[ESC] = <n1> <n2> <start code> <data>
<b>Hexadecimal</b>	1BH 3DH <n1> <n2> <start code> <data>
<b>Decimal</b>	<27> <61> <n1> <n2> <start code> <data>
<b>IPCL</b>	none
<b>EPOS</b>	none

**Description** This command allows custom characters to be downloaded. The total count is [(number of characters x 9) + 1] = (n1 + 256 \* n2). The start code is the starting character where the download is to start.

---

**Function Copy ROM Character Set to RAM Character Set**

<b>ASCII</b>	[ESC] \$
<b>Hexadecimal</b>	1BH 24H <n>
<b>Decimal</b>	<27> <36>
<b>IPCL</b>	none
<b>EPOS</b>	none

**Description** This command copies the internal ROM character set to the RAM character set.

---

**Function Custom character set ON**

<b>ASCII</b>	[ESC] > <n>
<b>Hexadecimal</b>	1BH 3EH <1>
<b>Decimal</b>	<27> <62> <1>
<b>IPCL</b>	none
<b>EPOS</b>	none

**Description** This selects the custom character set contained in the RAM font buffer.

---

**Function Custom character set OFF**

<b>ASCII</b>	[ESC] > <n>
<b>Hexadecimal</b>	1BH 3EH <0>
<b>Decimal</b>	<27> <62> <0>
<b>IPCL</b>	none
<b>EPOS</b>	none

**Description** This command turns off the custom character set contained in the RAM font buffer.

<b>Function</b>	<b>Insert Euro Character</b>
ASCII	[ESC] [ C <n>
Hexadecimal	1BH 5BH 43H <n>
Decimal	<27> <91> <67>
IPCL	&%EU
EPOS	none

**Description** This command allows an application to replace any character in the currently active character set with the Euro character. The character to be replaced is defined by <n>. For example, if the currently active character set is CP 850 (multilingual) and the 0D5H character is to be the Euro character, "1BH 5BH 43H 0D5H" will replace the character at 0D5H with the Euro symbol.

<b>Euro Character Substitution Matrix</b>			
Name	Epson	IBM	Code Page Insertion Point
850	26	850	0xD5
Turkey 857	57	857	0xD5
Win Cyrillic	52	1022	0x88
Win Turkish	51	1021	0x80
Win Greek	50	1020	0x80
Win Hebrew	62	1032	0x80
Win Baltic	68	1034	0x80

Table 9 Euro Character Substitution Matrix

# Character Print Control

There are a number of character pitch and print mode operations that are possible and a few that are not. The following table lists the operations that are possible in matrix form. Some features switch to an alternate mode while active. For example, if line graphics are to be printed the printer always prints them in a two-pass utility font at the selected pitch. Some enhanced or emphasized print formats are not available in 15 to 24 cpi. Rotated 180° print fully supports all print features. Rotated 90° and 270° print in a 5 x 7 font at 72 dpi is equivalent to a 12 cpi HSD font. Rotated print supports ten cpi and 12 cpi by controlling the line spacing.

Operation	8 cpi	10 cpi	12 cpi	15 cpi	17 cpi	20 cpi	24 cpi	Line gph	Ital	Super/sub	Util	NLQ	HSD	Emph	Enhan	Dbl-wide	Dbl-high	Under over
8 cpi								•	•	•	•	•	•	•	•	•	•	•
10 cpi								•	•	•	•	•	•	•	•	•	•	•
12 cpi								•	•	•	•	•	•	•	•	•	•	•
15 cpi								•	•	•	•		•			•	•	•
17 cpi								•	•	•	•		•			•	•	•
20 cpi								•	•	•	•		•			•	•	•
24 cpi								•	•	•	•		•			•	•	•
Line graphics	•	•	•	•	•	•	•				•	•	•			•	•	
Italics	•	•	•	•	•	•	•				•	•		•	•	•	•	•
Superscript/subscript	•	•	•	•	•	•	•				•	•		•	•	•	•	•
Utility	•	•	•	•	•	•	•	•	•	•				•	•	•	•	•
NLQ	•	•	•					•	•	•						•	•	•
HSD	•	•	•	•	•	•	•	•								•	•	
Emphasized	•	•	•						•	•	•							•
Enhanced	•	•	•						•	•	•							•
Double-wide	•	•	•	•	•	•	•	•	•	•	•	•	•					•
Double-high	•	•	•	•	•	•	•	•	•	•	•	•	•					•
Underline/Overline	•	•	•	•	•	•	•		•	•	•	•		•	•	•	•	
Rotate 90°/270°		•	•					•										

Table 10 Character Print Control

- Feature available

---

## Character Pitch

---

---

**Function**      **Begin 10 cpi character pitch**

ASCII            [DC2]  
Hexadecimal    12H  
Decimal         <18>  
IPCL            &%F3  
EPOS            [ESC] [SP] <n>

**Description**    This command sets ten character per inch print pitch.

---

**Function**      **Begin 12 cpi character pitch**

ASCII            [ESC] :  
Hexadecimal    1BH 3AH  
Decimal         <27> <58>  
IPCL            &%F2  
EPOS            [ESC] [SP] <n>

**Description**    This command sets 12 character per inch print pitch.

---

**Function**      **Begin 17 cpi character pitch**

ASCII            [SI]  
Hexadecimal    0FH  
Decimal         <15>  
IPCL            &%F1  
EPOS            [ESC] [SP] <n>

**Description**    This command sets 17 character per inch print pitch

---

**Function**      **Begin 24 cpi character pitch**

ASCII            [ESC] [SI]  
Hexadecimal    1BH 0FH  
Decimal         <27> <15>  
IPCL            &%F4  
EPOS            [ESC] [SP] <n>

**Description**    This command sets 24 character per inch print pitch

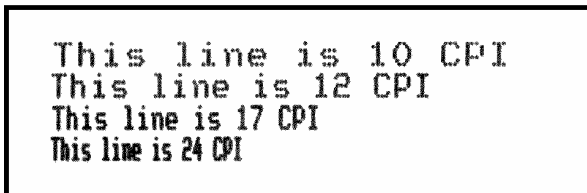


Figure 7 Examples of character print



**Function Set specified character pitch**

**ASCII** [ESC] [ P <n>  
**Hexadecimal** 1BH 5BH 50H <n>  
**Decimal** <27> <91> <80> <n>  
**IPCL** &%F<n>  
**EPOS** [ESC] [SP] <n>

**Description** This command sets characters per inch print pitch to <n>

**Where n =**

<8>	selects 8 cpi	&%F7
<10>	selects 10 cpi	&%F3
<12>	selects 12 cpi	&%F2
<15>	selects 15 cpi	&%F6
<17>	selects 17 cpi	&%F1
<20>	selects 20 cpi	&%F5
<24>	selects 24 cpi	&%F4

**Function Set intercharacter spacing**

**Mode** Global  
**ASCII** [ESC] V <n>  
**Hexadecimal** 1BH 56H <n>  
**Decimal** <27> <86> <n>  
**IPCL** none  
**EPOS** [ESC] [SP] <n>

**Description** Set intercharacter spacing by adding white space between characters. The value of <n> sets the spacing and ranges from zero to 11. The normal pitch set commands set the interval to zero. The amount of space depends on the pitch that was set. The following table specifies the amount of white space for each pitch setting.

Pitch	Spacing
HSD 8 cpi	1/80 * n
HSD 10 cpi	1/100 * n
HSD 12 cpi	1/120 * n
HSD 15 cpi	1/150 * n
HSD 17 cpi	1/171 * n
HSD 20 cpi	1/200 * n
HSD 24 cpi	1/240 * n
Utility/NLQ 8 cpi	1/150 * n
Utility/NLQ 10 cpi	1/120 * n
Utility/NLQ 12 cpi	1/144 * n
Utility/NLQ 15 cpi	1/180 * n
Utility/NLQ 17 cpi	1/205 * n
Utility/NLQ 20 cpi	1/240 * n
Utility/NLQ 24 cpi	1/288 * n

Table 11 Intercharacter spacing table

---

## Character Attribute Commands

---

<b>Function</b>	<b>Begin one-line double-wide print</b>
ASCII	[SO]
Hexadecimal	0EH
Decimal	<14>
IPCL	&%MW
EPOS	none
<b>Description</b>	This command causes subsequent characters to be printed at twice the currently selected character width. For example ten cpi becomes five cpi, 17 cpi becomes 8.5 cpi, and so on.

This command will remain in effect until:

- Valid line terminator is received (CR, LF, or fine line feed);
- Command is canceled; or
- Maximum number of characters per line reached. Printer performs an auto print.

```
Example of one line Double Wide
This is normal 12 CPI Print
Double Wide
This is back to normal
```

Figure 8 Example of one-line double-wide print

---

<b>Function</b>	<b>Cancel one-line double-wide print</b>
ASCII	[DC4]
Hexadecimal	14H
Decimal	<20>
IPCL	&%MN
EPOS	none
<b>Description</b>	This command cancels one-line double-wide mode set by the [SO] command and allows single- and double-wide characters to be printed on the same line.

```
Example of one line Double Wide[CR][LF]
This is normal 12 cpi Print[CR][LF]
[SO]
Double Wide[CR][LF]
This is back to normal[CR][LF]
```

Figure 9 Data sent to printer for one-line double-wide print

<b>Function</b>	<b>Multiline double-wide and double-high</b>	
<b>ASCII</b>	[ESC] W <n>	
<b>Hexadecimal</b>	1BH 57H <n>	
<b>Decimal</b>	<27> <87> <n>	
<b>IPCL</b>	&%FD, &%FS, &%FH (Note: Single-wide, double-high print is not available in IPCL).	
<b>EPOS</b>	[ESC] ! <n>	
<b>Description</b>	This command controls multiline double-wide or double-high mode.	

<b>Where</b>	n	specifies the mode	
	0	begin	s standard single-wide and single-high
		&%FS	
	1	begins double-wide	&%FD
	2	begins double-high	none
	3	begins double-wide, double-high	&%FH

**Note:** This command does not affect line spacing.  
**EPOS Note:** [ESC] ! <n> performs a similar function; however, NLQ is not available

<b>Where n-bits</b>	76543210	Function
	1-----	Underline
	--1-----	Double-wide
	---1----	Double-high
	-----X	Font: 1 = Utility, 0 = HSD

**Function Set print style: double-wide, double-high, italic control**

**ASCII** [ESC] [ @ [EOT] [NUL] <k> [NUL] <n> <m>  
**Hexadecimal** 1BH 5BH 40H 04H 00H <k> 00H <n> <m>  
**Decimal** <27> <91> <64> <04> <0> <k> <0> <n> <m>  
**IPCL** &%DH Double-high, double-wide, and double-space  
 &%SH Single-high, single-wide, and single-space  
 Also, see [ESC] W.

**Description** This command sets double-wide, double-high, and italic print mode.

Where k-bits	76543210	
	----xxxx	Italic control
0	----0000	No change
1	----0001	Italic On
2	----0010	Italic Off
Where n-bits	76543210	
	----xxxx	Height multiplier
0	----0000	No change
1	----0001	Single high
2	----0010	Double high
	xxxx----	Line spacing
0	0000----	No change
16	0001----	Single line feed
32	0010----	Double line feed
Where m-bits	76543210	
	----xxxx	Width multiplier
0	----0000	No change
1	----0001	Single-wide
2	----0010	Double-wide

**Function Begin underline**

**ASCII** [ESC] - <1>  
**Hexadecimal** 1BH 2DH 01H  
**Decimal** <27> <45> <1>  
**IPCL** &%MU  
**EPOS** [ESC] ! <n>

**Description** This command begins the underline print mode. All subsequent text and leading spaces will be underlined. Trailing spaces are also underlined.

**Note:** Underline is not available in HSD mode. See page 37 for available modes.

**EPOS Note:** [ESC]!<n> performs a similar function; however, NLQ is not available.

Where n-bits	76543210	Function
	1-----	Underline
	--1-----	Double-wide
	---1-----	Double-high
	-----X	Font: 1 = Utility, 0 = HSD

---

<b>Function</b>	<b>End underline</b>
ASCII	[ESC] - <0>
Hexadecimal	1BH 2DH 00H
Decimal	<27> <45> <0>
IPCL	&%CU
EPOS	none

**Description** This command ends underline print mode.

---

<b>Function</b>	<b>Begin overscore</b>
ASCII	[ESC] _ <1>
Hexadecimal	1BH 5FH 01H
Decimal	<27> <95> <1>
IPCL	&%MO
EPOS	none

**Description** This command begins overscore print mode. All subsequent text and leading spaces will be overscored. Trailing spaces are also overscored.

**Note** Overscore is not available in HSD mode. See page 37 for available modes.

---

<b>Function</b>	<b>End overscore</b>
ASCII	[ESC] _ <0>
Hexadecimal	1BH 5FH 00H
Decimal	<27> <95> <0>
IPCL	&%CO
EPOS	none

**Description** This command ends overscore print mode.

---

<b>Function</b>	<b>Begin enhanced print</b>
ASCII	[ESC] G
Hexadecimal	1BH 47H
Decimal	<27> <71>
IPCL	&%ME
EPOS	[ESC] G <1>

**Description** This command begins enhanced print mode. All subsequent text will be printed in enhanced print mode (two pass with a vertical offset). Enhanced printing provides a deeper resolution of each character and may enhance multiple part forms printing.

**Note** This feature is not available in all print modes. See page 37 for available modes.

---

**Function      End enhanced print**

**ASCII**            [ESC] H  
**Hexadecimal**    1BH 48H  
**Decimal**         <27> <72>  
**IPCL**            &%CE  
**EPOS**            [ESC] G <0>

**Description**    This command cancels enhanced print mode and returns to the currently selected font.

---

**Function      Begin emphasized print**

**ASCII**            [ESC] E  
**Hexadecimal**    1BH 45H  
**Decimal**         <27> <69>  
**IPCL**            &%MM  
**EPOS**            [ESC] E <1>

**Description**    This command begins emphasized print mode (single pass with horizontal offset).  
This print is bolder than normal print.

---

**Function      End emphasized print**

**ASCII**            [ESC] F  
**Hexadecimal**    1BH 46H  
**Decimal**         <27> <70>  
**IPCL**            &%CM  
**EPOS**            [ESC] E <0>

**Description**    This command cancels emphasized print mode.

---

**Function      Select superscript**

**ASCII**            [ESC] S <0>  
**Hexadecimal**    1BH 53H 00H  
**Decimal**         <27> <83> <0>  
**IPCL**            &%SP  
**EPOS**            none

**Description**    This command selects superscript. All following characters will be printed half size on the upper side of the print line.

**Note**            This feature is not available in all print modes.  
See page 37 for available modes.

**Function      Select subscript**

ASCII	[ESC] S <1>
Hexadecimal	1BH 53H 01H
Decimal	<27> <83> <1>
IPCL	&%SB
EPOS	none

**Description**      This command selects subscript. All following characters will be printed half size on the bottom side of the print line.

**Note**                This feature is not available in all print modes. See page 37 for available modes.

**Function      End superscript or subscript**

ASCII	[ESC] T
Hexadecimal	1BH 54H
Decimal	<27> <84>
IPCL	&%SE
EPOS	none

**Description**      This command cancels superscript or subscript.

**Function      Begin italics**

ASCII	[ESC] % G
Hexadecimal	1BH 25H 47H
Decimal	<27> <37> <71>
IPCL	&%MI
EPOS	[ESC] 4

**Description**      This command begins italic print mode.

**Note**                Italics are not available in all print modes. See page 37 for available modes.

**Function      End italics**

ASCII	[ESC] % H
Hexadecimal	1BH 25H 48H
Decimal	<27> <37> <48>
IPCL	&%CI
EPOS	[ESC] 5

**Description**      This command ends italic print mode.

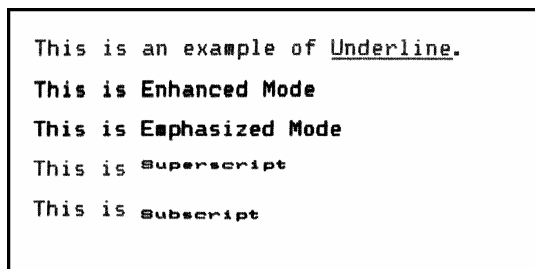


Figure 10 Example of underline, enhanced, emphasized, superscript, and subscript print

## Print Rotation Commands

To provide printing flexibility on preprinted and various size forms, rotated print capability is available in validation and receipt modes. Rotated print mode aligns the print in any of three 90 degree orientations. In 90° and 270° rotated modes, the print data is first buffered by the printer, processed (rotated), and then printed. As a result, the print process is slightly delayed. In 180° mode, the print is simply inverted and mirrored. Because the rotated 90° and 270° print buffer is limited to 1760 characters, the amount of rotated print is also limited. The printer can support a limit of 22 lines of rotated print with a maximum line length of 80 characters. The technique used by the Series 150 Printer is to receive all the print to be rotated and convert it into graphics. This requires buffer space for all possible characters in each print line. Each line has a fixed length buffer regardless of how much data is actually sent to the printer. The printer will space fill the buffer for each line to the maximum size. As a result, a short line of two characters will take as much buffer space as a long line.

To make the most efficient use of buffer space, the line length is predefined. The default line length is 80 characters, which leaves room for 22 lines. To allow longer lines to be printed, the line length can be changed; however, no more than 22 lines with no more than 128 characters per line are allowed. For example, if the line length is expanded to 128 characters per line, there is buffer space for 1760/128 or 13 lines. Specifying the line length is also useful to determine where data is printed on forms. In rotated 90° and 270° mode, the print field can be extended to print the complete line length specified. Extending the line length is useful for printing forms such as checks where the form is fixed but the data can change. This mode is called line formatted mode. In line formatted mode, the line length is set not by the longest line entered but by the maximum line length. (Line lengths less than 80 will not print more than 22 lines, only the format will be affected).

The space between lines is controlled by a line spacing table. The table is defined by the rotated print line spacing ([ESC] u ...) command or by inserting [LF] or [ESC] J <n> commands in the rotated data. The [ESC] u command specifies the number of dots to be added between each printed line. Each line has an entry in the table. There is room for 22 lines in the table. The minimum spacing (and default) is one dot or 1/80 inch between lines which results in a total of 10 dots in a line or 10/80 inch (8 lines per inch). The character cell is 7 x 9 with one dot of white space<sup>9</sup> or a total cell size of 7 x 10. The cell is printed at 80 dots per inch. If three dots are added, there will be a total of four dots, and the cell will be 7 x 13. The following table specifies lines per inch for various numbers of inserted dots.

<b>Number of dots added</b>	0	1	2	3	4	5	6	7
<b>Spacing specified</b>	1	2	3	4	5	6	7	8
<b>Cell size</b>	7 x 10	7 x 11	7 x 12	7 x 13	7 x 14	7 x 15	7 x 16	7 x 17
<b>Line spacing (inches)</b>	0.125	0.1375	0.15	0.1625	0.175	0.1875	0.2	0.2125
<b>Number lines per inch</b>	8	7.27	6.67	6.15	5.71	5.33	5.0	4.7

Table 12 Rotated print spacing

<sup>9</sup> Line graphic characters are 7 x 10 which allow touching characters as a default.



If a [LF] is used to specify the line spacing, it overrides the default table and sets spacing to one dot for eight lines per inch. If [ESC] J <n> is used, <n> specifies the spacing in n/216 (including the one dot white space). Note: the finest resolution is still 1/80, n/216 will be rounded to the nearest n/80 and the smallest value allowed will be 1/80.

In rotated 90° or 270° mode, the print is done in all-points-addressable (APA) graphics. The intercharacter spacing is adjusted with the normal line spacing commands. The [ESC] 3 <n> command is the most effective command for adjusting inter-character spacing. Line spacing smaller than 12 cpi will force the characters to overlap. (Spacing of 12 cpi is obtained with an [ESC] 3 <18>.) When 90° or 270° rotation is selected, only normal text can be printed. Underline, enhanced, emphasized, and other attributes will not function. See the chart on page 37 for a list of available features. In 180° rotation mode, all spacing commands are effective. This mode of operation simply inverts and mirrors the print operation. All line spacing and print features are available. It should be noted that the feed direction is not effected by any of the rotate commands.

---

**Function      Begin 90° rotated print**

**ASCII**            [ESC] r <1>  
**Hexadecimal**    1BH 72H 01H  
**Decimal**         <27> <114> <1>  
**IPCL**             &%R1  
**EPOS**            [ESC] T <3>

**Description**    Print data is entered normally from left to right, top to bottom. When an end rotated print ([ESC] r <0>) command is received, the printer formats and prints the data.

**EPOS Note**      The Series 150 Printer does not fully implement EPOS page mode. The [ESC] T <n> command functions identically to the normal mode [ESC] r <n> except the definition of <n> is different.

---

**Function      Begin 90° rotated print with line formatting**

**ASCII**            [ESC] r <5>  
**Hexadecimal**    1BH 72H 05H  
**Decimal**         <27> <114> <5>  
**IPCL**             &%R5  
**EPOS**            [ESC] T <3>

**Description**    Print data is entered normally from left to right, top to bottom. When an end rotated print ([ESC] r <0>) command is received, the printer formats and prints the data. This command differs from the [ESC] r <1> command in that the line length is determined not by the longest line entered, but by the line length set by the [ESC] s command. If input extends past the end of a line, it will line wrap.

---

<b>Function</b>	<b>Begin 270° rotated print</b>
ASCII	[ESC] r <3>
Hexadecimal	1BH 72H 03H
Decimal	<27> <114> <3>
IPCL	&%R3
EPOS	[ESC] T <1>

**Description** Print data is entered normally from left to right, top to bottom. When an end rotated print ([ESC] r <0>) command is received, the printer formats and prints the data. The print will be rotated 270° according to the currently stored format parameters.

**EPOS Note** The Series 150 Printer does not implement EPOS page mode. The [ESC] T <n> command functions identically to the normal mode [ESC] r <n> except the definition of <n> is different.

---

<b>Function</b>	<b>Begin 270° rotated print with line formatting</b>
ASCII	[ESC] r <7>
Hexadecimal	1BH 72H 07H
Decimal	<27> <114> <7>
IPCL	&%R7
EPOS	[ESC] T <1>

**Description** Print data is entered normally from left to right, top to bottom. When an end rotated print ([ESC] r <0>) command is received, the printer formats and prints the data. The print will be rotated 270° according to the currently stored format parameters. This command differs from the [ESC] r <3> command by spacing out the lines to the line length specified by the [ESC] s command. If input extends past the end of a line, it will line wrap.

---

<b>Function</b>	<b>Begin 180° rotated print</b>
ASCII	[ESC] r <2>
Hexadecimal	1BH 72H 02H
Decimal	<27> <114> <2>
IPCL	&%R2
EPOS	[ESC] { <1>

**Description** All subsequent lines will be rotated 180° and positioned at the opposite margin. This command is effective on all stations including the journal. This command will remain in effect until rotation is canceled with an end rotated print ([ESC] r <0>) command, or a station select command is issued.

**Note** The last line of print must be terminated with a line terminator before the end rotated command is issued. Any characters in the print buffer that have not been printed will not be printed. They will be printed unrotated when a line terminator is received.

---

**Function**      **End rotated print**

<b>ASCII</b>	[ESC] r <0>
<b>Hexadecimal</b>	1BH 72H 00H
<b>Decimal</b>	<27> <114> <0>
<b>IPCL</b>	&%R0
<b>EPOS</b>	[ESC] { <0>

**Description**      In 90° or 270° mode, this command prints the contents of the rotated print buffer and returns to normal print orientation. In 180° mode, the printer will return to normal print orientation. Characters in the print buffer that have not been printed will not be printed.

---

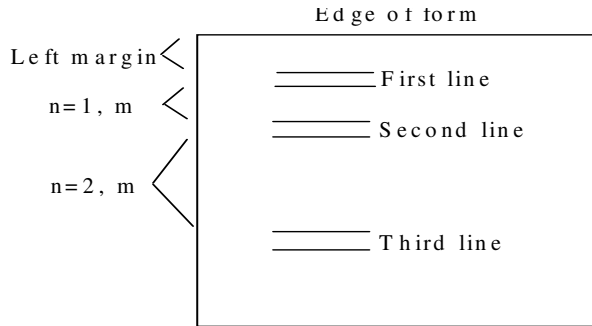
**Function**      **Set rotated print line length**

<b>ASCII</b>	[ESC] s <n>
<b>Hexadecimal</b>	1BH 73H <n>
<b>Decimal</b>	<27> <115> <n>
<b>IPCL</b>	&%RL <m <sub>1</sub> > <m <sub>2</sub> ><m <sub>3</sub> >
<b>EPOS</b>	none

**Description**      This command sets the print line length to be used in autoformat rotated print mode. The maximum number of characters is 128 per line. The power on default line length is 80 characters. The number of available print lines is found by dividing 1760 by the number of characters per line and rounding down to the nearest whole number. The minimum number is 80 characters. Any value less than 80 will not allow any additional lines to be printed. Values greater than 80 will limit the number of lines to less than 22.

<b>Function</b>	<b>Set rotated print line spacing</b>
<b>ASCII</b>	[ESC] u <n <sub>1</sub> > <m <sub>1</sub> > <n <sub>2</sub> > <m <sub>2</sub> > ... <n <sub>i</sub> > <m <sub>i</sub> > <0>
<b>Hexadecimal</b>	1BH 75H <n <sub>1</sub> > <m <sub>1</sub> > <n <sub>2</sub> > <m <sub>2</sub> > ... <n <sub>i</sub> > <m <sub>i</sub> > 00H
<b>Decimal</b>	<27> <117> <n <sub>1</sub> > <m <sub>1</sub> > <n <sub>2</sub> > <m <sub>2</sub> > ... <n <sub>i</sub> > <m <sub>i</sub> > <0>
<b>IPCL</b>	none
<b>EPOS</b>	none

**Description** This command adjusts the line spacing for each rotated print line where n<sub>i</sub> is the line number and m<sub>i</sub> is the spacing in dot columns (1/80 inch) from the previous line.



For the first print line, the distance is calculated from the margin. An n<sub>i</sub> value of 0 is used to terminate the command. Any unspecified spacing will be set to one. This allows data to be accurately positioned on an inserted form. These values will be used as a template for all subsequent rotated print. On power up, all spacing is preset to 1/80 inch (n = 1, 8 lines per inch) for all lines. This command is only effective in 90° and 270° rotation. It will remain in effect until a new table is received or until the printer is power cycled. An [ESC] u <0> will have the effect of setting all lines to one. This table can be overridden by [LF] or [ESC] J <n> commands in the rotated print data. The value of m can be from one to 127; n can be from one to 22. Table 12 on 46 specifies the line spacing for this command.

## Graphic Mode

The Series 150 Printer conforms to the full definition of IBM all-points-addressable (APA) graphic commands. The printer will only print graphics that are 2.4 inches wide. This at times can make it difficult to use off-the-shelf graphic generation programs. If the Series 150 Printer is used with programs that convert text to graphics, the printer will be slower than if the printer is sent ASCII text. The Series 150 Printer is supported by a Windows' print driver that will allow applications to select fonts that are supported by the printer. The Series 150 Printer is not designed to print large quantities of graphical data. If the printer is asked to print an excessive amount of black, it will break down the job into multiple steps. This protects the printer but slows the printing time. The printer should not be requested to print a white on black image.

### Standard APA Graphics

<b>Function</b>	<b>Print single-density graphics (60 h x 72 v dpi)</b>
ASCII	[ESC] K <n> <sup>1</sup> <n> <sup>2</sup>
Hexadecimal	1BH 4BH <n> <sup>1</sup> <n> <sup>2</sup>
Decimal	<27> <75> <n> <sup>1</sup> <n> <sup>2</sup>
IPCL	none
<b>Description</b>	This command prints $n1 + 256 * n2$ bytes of single-density graphics (60 dpi).
<b>Function</b>	<b>Print half-speed double-density graphics (120 h x 72 v dpi)</b>
ASCII	[ESC] L <n> <sup>1</sup> <n> <sup>2</sup>
Hexadecimal	1BH 4CH <n> <sup>1</sup> <n> <sup>2</sup>
Decimal	<27> <76> <n> <sup>1</sup> <n> <sup>2</sup>
IPCL	none
<b>Description</b>	This command prints $n1 + 256 * n2$ bytes of double-density graphics (120 dpi) at half-speed allowing full and half dots to be printed.
<b>Function</b>	<b>Print full-speed double-density graphics (120 h x 72 v dpi)</b>
ASCII	[ESC] Y <n> <sup>1</sup> <n> <sup>2</sup>
Hexadecimal	1BH 59H <n> <sup>1</sup> <n> <sup>2</sup>
Decimal	<27> <89> <n> <sup>1</sup> <n> <sup>2</sup>
IPCL	none
<b>Description</b>	This command prints $n1 + 256 * n2$ bytes of double-density graphics (120 dpi) at full speed with no consecutive dots. (Full-speed double-density graphic mode is generally used to print 120 h by 144 v dpi resolutions in two passes).

**Function      Print quad-density graphics (240 h x 72 v dpi)**

**ASCII**            [ESC] Z <n><sup>1</sup> <n><sup>2</sup>  
**Hexadecimal**    1BH 5AH <n><sup>1</sup> <n><sup>2</sup>  
**Decimal**         <27> <90> <n><sup>1</sup> <n><sup>2</sup>  
**IPCL**            none

**Description**    This command prints n1 + 256 \* n2 bytes of quad-density graphics (240 dpi) at half speed with no consecutive dots. (Quad-density graphic mode is generally used to print 240 h by 144 v dpi resolutions in two passes).

**Function      Print graphics in mode <m> (60 h/120 h/240 h x 72 v dpi)**

**ASCII**            [ESC] \* <m> <n><sup>1</sup> <n><sup>2</sup>  
**Hexadecimal**    1BH 2AH <m> <n><sup>1</sup> <n><sup>2</sup>  
**Decimal**         <27> <42> <m> <n><sup>1</sup> <n><sup>2</sup>  
**IPCL**            none

**Description**    This command selects one of the three above graphics modes as specified by <m>.

<b>Where &lt;m&gt;</b>	0	60 dpi	Full speed	8-bit slices
	1	120 dpi	Half speed	8-bit slices
	2	120 dpi	Full speed	8-bit slices
	3	240 dpi	Full speed	8-bit slices
	4	80 dpi	Full speed	8-bit slices
	5	72 dpi	Full speed	8-bit slices
	6	90 dpi	Full speed	8-bit slices
	7	144 dpi	Full speed	8-bit slices
	8,9,11,12,13,14,16			Not supported

**Function      Reassign graphic mode <m>**

**ASCII**            [ESC] ? <m> <n>  
**Hexadecimal**    1BH 3FH <m> <n>  
**Decimal**         <27> <63> <m> <n>  
**IPCL**            none

**Description**    This command reassigns graphic mode <m> to resolution <n>. Possible values for <m> are K, L, Y or Z. Resolutions <n> are 0 through 7 as follows:

<b>Where &lt;m&gt;</b>	0	60 dpi	Full speed	8-bit slices	Default for K
	1	120 dpi	Half speed	8-bit slices	Default for L
	2	120 dpi	Full speed	8-bit slices	Default for Y
	3	240 dpi	Full speed	8-bit slices	Default for Z
	4	80 dpi	Full speed	8-bit slices	
	5	72 dpi	Full speed	8-bit slices	
	6	90 dpi	Full speed	8-bit slices	
	7	144 dpi	Full speed	8-bit slices	

---

**Function**      **Begin unidirectional print**

**ASCII**            [ESC] U <1>  
**Hexadecimal**    1BH 55H 01H  
**Decimal**         <27> <85> <1>  
**IPCL**            &%GU  
**EPOS**            [ESC] U <1>

**Description**    This command prints all data in unidirectional print mode to improve line to line registration for graphical data.

**Note**            This command should be canceled before normal text is printed. It will slow printing time if it is not canceled.

---

**Function**      **Begin bidirectional print**

**ASCII**            [ESC] U <0>  
**Hexadecimal**    1BH 55H 00H  
**Decimal**         <27> <85> <0>  
**IPCL**            &%GB  
**EPOS**            [ESC] U <0>

**Description**    This command prints all data in bidirectional, logic-seeking print mode.

## Bar codes

The Series 150 Printer has the ability to print bar codes. The printer will print one of five formats, Interleaved 2 of 5, Code 39, Code 128, UPC A, and EAN-13. The host does not need to form the graphic image for these bar codes. The host need only send the printer the information to be bar coded, and a graphic will be generated. Bar codes can be printed in a high-resolution normal mode or a fast, high-speed mode. The normal mode is more readable than the high speed mode. (See the [ESC] [EM] B command on the next page for setting the bar code height and print speed.)

<b>Function</b>	<b>Print bar code</b>		
<b>ASCII</b>	[ESC] b <n> {information} [ETX]		
<b>Hexadecimal</b>	1BH 62H <n>... 03H		
<b>Decimal</b>	<27> <98> <n> ... <3>		
<b>IPCL</b>	&%25 ... [CR]	Interleaved 2 of 5	
	&%39 ... [CR]	Code 39	
	&%12 ... [CR]	Code 128	
	&%UP ... [CR]	UPC A	
	&%UE ... [CR]	UPC E	
	&%EA .. [CR]	EAN-13	
	&%E8 ... [CR]	EAN-8	
	&%93 ... [CR]	Code 93	
	&%HB<n> ..	Hollerith <sup>10</sup>	
<b>EPOS</b>	[ESC] b <n> or [GS] k <n>		
<b>Description</b>	This command prints the information as a bar code. The bar code will be centered on the print zone.		
<b>Where n</b>	0	Interleaved 2 of 5 Numeric	(0-9) only; must be an even number of digits
	1	Code 39 26	uppercase letters (A-Z) and 10 digits (0-9)
	2	Code 128	Three sets of 106 different characters
	3	UPC A	Numeric (0-9) only; 11 digits
	4	EAN-13	Numeric (0-9) only; 12 digits
	5	UPC E	Numeric (0-9) only; 11 digits
	6	EAN-8	Numeric (0-9) only; 7 digits
	7	Code 93	26 letters, 10 digits (0-9), 7 special
<b>Characters</b>	10	Hollerith	ASCII data up to 16 digits

**Interleaved 2 of 5** A high-density, self-checking, continuous, numeric bar code. It is mainly used where fixed length numeric fields are required. The data field must be an even number of characters. If an odd data field is sent to the printer, it will be zero padded. Due to space limitations, only 16 characters can be printed. (Note: Interleaved 2 of 5 does not read well in fast mode.)

<sup>10</sup> The Hollerith bar code is only available on custom configurations.



- Code 39** An alphanumeric bar code. It is a discrete, self-checking, variable length code. The complete data field is printed. Due to space limitations, only eight characters can be printed. If illegal characters are passed to the printer, they will be converted to legal codes, i.e.,  $a \rightarrow A$ .
- Code 128** An alphanumeric bar code. It is a high-density, variable length, continuous code that employs multiple element widths. Code 128 has three possible start codes. The start code defines the set as Code A, B, or C. The first character in the data field defines the code set, Start Code A = <135>, Code B = <136>, and Code C = <137>. The complete data field is printed by the printer. Due to space limitations, only nine characters can be printed. A check digit is generated by the printer.
- Code 128 Note** The "A" space is defined as a <0>, which makes programming difficult and causes control character conflicts for the printer. To solve the problem, the Series 150 Printer subtracts 32 from all characters that are to be included in the bar code. In the Code 128 definition, an "A" is <33>; however, the printer will convert an ASCII "A" (<65>) to a <33> internally. This sets Code 128C and the start codes off by 32.
- UPC A** A fixed length, numeric, continuous code that employs four element widths. The printer supports Universal Product Code Version A, E, EAN-8, and EAN-13. Version A encodes 11 digits. Typically, the UPC A format starts with a number system digit, five-digit manufacturer's code, five-digit product code, and a check digit. The printer makes no assumptions about any of the codes except the check digit. The printer will print a UPC bar code with the 11 digits sent to it and generate the check digit. If fewer than 11 digits are sent, the remaining digits will be zeroes. The printer will print a UPC that is about 130% the size of the UPC nominal standard, which provides optimal readability.
- UPC E** A zero suppression version of UPC. The printer requires that the first digit is zero for number system zero. If it is not zero, the bar code is not printed. The printer does the compression based on the compression rules for UPC-E. The printer will print a UPC bar code based on the 11 digits sent to it and generate the check digit. If fewer than 11 digits are sent, the remaining digits will be zeroes. The printer will print a UPC that is about 130% the size of the UPC nominal standard, which provides optimal readability.

- EAN-8** A fixed length, numeric, continuous code that employs four element widths. The printer supports EAN-8, which is a superset of UPC that encodes seven digits. The printer will print an EAN-8 bar code with the seven digits sent to it and generate the check digit. If fewer than seven digits are sent, the remaining digits will be zeroes. The printer will print an EAN-8 bar code that is about 130% the size of the nominal standard which provides optimal readability.
- EAN-13** This is a fixed length, numeric, continuous code that employs four element widths. The printer supports EAN-13 which is a superset of UPC which encodes 12 digits. Typically, the format starts with a number set digit, which defines how the next six digits are encoded. The next five digits have fixed encoding. The last is a check digit. The printer will print an EAN-13 bar code with the 12 digits sent to it and generate the check digit. If fewer than 12 digits are sent, the remaining digits will be zeroes. The printer will print an EAN-13 bar code that is about 130% the size of the nominal standard, which provides optimal readability.
- Code 93** An alphanumeric, variable length bar code. The complete data field is printed by the printer. Due to space limitations, only 11 characters can be printed. Hollerith is variable length, ASCII data that is intended for use with optical mark readers. The printer will print a grid of encoded rectangles arranged horizontally across the paper.
- Notes** A [CR] may also be used in place of the [ETX] to end the bar code data field. Only information that is usable in a particular bar code will be printed.

**Function      Bar code height**

**ASCII**            [ESC] [EM] B <n>  
**Hexadecimal**    1BH 19H 42H <n>  
**Decimal**         <27> <25> <66> <n>  
**IPCL**            &%BH <m<sub>1</sub>> <m<sub>2</sub>>  
**EPOS**            [GS] h <n>

**Description**    This command sets the bar code height. Where <n> is the number of print passes, each pass is about 0.11 inch high. If n = <0>, the printer returns to the default values of four passes for all except UPC, which has default values of seven. Any value from zero to nine may be specified.

**Function      Set bar code justification and human readable number print modes**

**ASCII**            [ESC] [EM] J <n>  
**Hexadecimal**    1BH 19H 4AH <n>  
**Decimal**         <27> <25> <74> <n>  
**IPCL**            &%BJ <m<sub>1</sub>> <m<sub>2</sub>>  
**EPOS**            none

**Note**            The power on default is center justified with numbers on UPC bar codes. This command only effects bar code printing.

**Description**    This command selects the operation of the bar code justification and number printing.

<b>Where n-bits</b>	n	IPCL	76543210	
			-----xx	Justification
	0	00	-----00	Left
	1	01	-----01	Center
	2	02	-----10	Right
			----xx--	Human readable
	0	00	----00--	No numbers
	4	04	----01--	Numbers on UPC bar codes
	8	08	----10--	Numbers on non-UPC bar codes
	12	12	----11--	Numbers on all bar codes

## Receipt Paper Out Sensor

The paper out sensor in the Series 150 Printer, senses when the paper is exhausted. When the printer generates a paper out fault, the printer stops printing and goes off-line. If the printer is off-line, inquires may not be accepted. To prevent the printer from going off-line when paper out is sensed, send an [ESC] 8.

---

**Function      Disable paper out sensor**

**ASCII**            [ESC] 8  
**Hexadecimal**    1BH 38H  
**Decimal**         <27> <56>  
**IPCL**            &%PF  
**EPOS**            none

**Description**    This command disables paper out sensing and is intended to temporarily disable the paper out sensor. The printer will not stop printing or go off-line when paper out is sensed. The [ENQ] commands will still return paper out status.

---

**Function      Enable paper out sensor**

**ASCII**            [ESC] 9  
**Hexadecimal**    1BH 39H  
**Decimal**         <27> <57>  
**IPCL**            &%PO  
**EPOS**            none

**Description**    This command enables paper sensing and is intended to reverse the effect of the disabled paper out sensor command. If the printer is out of paper when this command is issued, it will go off-line.

**Validation Operation**

The form is inserted from the top and extends out the left side and/or top of the printer. It rests on a fixed stop. A maximum of 16 lines at 40 characters can be printed on a form. In this manual, top insertion will be termed validation mode.

**Function      Open for validation**

<b>ASCII</b>	[ESC] [DC1]
<b>Hexadecimal</b>	1BH 11H
<b>Decimal</b>	<27> <17>
<b>IPCL</b>	&%VO
<b>EPOS</b>	[ESC] c 0 <n>

**Description**      This command opens the form compensation assembly for validation. No automatic validation form sensing is performed. The application must poll the printer for validation forms present and then issue a close compensation command.

**Function      Close for validation**

<b>ASCII</b>	[ESC] [DC3]
<b>Hexadecimal</b>	1BH 13H
<b>Decimal</b>	<27> <19>
<b>IPCL</b>	&%VC
<b>EPOS</b>	[ESC] c 0 <n>

**Description**      This command closes the form compensation assembly for validation. No automatic validation form sensing is performed.

**Function      Close for validation when form is sensed**

<b>ASCII</b>	[ESC] [DC4]
<b>Hexadecimal</b>	1BH 14H
<b>Decimal</b>	<27> <20>
<b>IPCL</b>	&%VS
<b>EPOS</b>	[ESC] c 0 <n>

**Description**      This command closes the form compensation assembly for automatic validation form sensing by the printer.

---

## Validation Operation Control

The Series 150 Printer has several features that can be altered during operation. For example, the time delay between when a form is sensed and when the form clamp is activated can be changed. This allows the operation of the printer to be tailored to the application and the form being used.

All feature control commands are extensions of the [ESC] [EM] sequence. They are defined as follows.

---

<b>Function</b>	<b>Validation clamp delay</b>
<b>ASCII</b>	[ESC] [EM] C <n>
<b>Hexadecimal</b>	1BH 19H 43H <n>
<b>Decimal</b>	<27> <25> <67> <n>
<b>IPCL</b>	&%ZC <m <sub>1</sub> > <m <sub>2</sub> >
<b>EPOS</b>	[ESC] f
<b>Description</b>	This command sets the clamp delay which is the time between when the form is sensed and when it is clamped. (Only the least four bits are used.) The default is configurable.
<b>Where &lt;n&gt;</b>	0 = 0 ms 1 = 50 ms 2 = 150 ms, and so on until 15 = 750 ms
<b>Note</b>	Once issued, the value will be used until the printer is power cycled or the command is reissued.

---

<b>Function</b>	<b>Set validation time-out</b>
<b>ASCII</b>	[ESC] [EM] V <n>
<b>Hexadecimal</b>	1BH 19H 56H <n>
<b>Decimal</b>	<27> <25> <86> <n>
<b>IPCL</b>	&%ZV <m <sub>1</sub> > <m <sub>2</sub> >
<b>EPOS</b>	[ESC] f
<b>Description</b>	This command sets the time-out after a top validation command with autosense is issued and the printer returns to receipt mode.
<b>Where &lt;n&gt;</b>	The delay in one minute increments; minimum is one minute; maximum is 15 minutes. If <n> = 0, the delay is set to no time-out (waits forever). The default is configurable.

**Function**      **Set left/right print margin**

**ASCII**            [ESC] X <n1> <n2>  
**Hexadecimal**    1BH 58H <n1> <n2>  
**Decimal**           <27> <88> <n1> <n2>  
**IPCL**              none  
**EPOS**             [ESC] I or [ESC] Q

**Description**     Set left and right print margin in characters from the home position.

**Where**            n1 = Left margin  
                       n2 = Right margin

The absolute position depends on the current print pitch.

	8 cpi	10 cpi	12 cpi	15 cpi	17.1 cpi	20 cpi	24 cpi
Maximum Columns	18	23	28	35	40	46	56
<n1>	1 to 18	1 to 23	1 to 28	1 to 35	1 to 40	1 to 46	1 to 56
<n2>	<n1>+2 to 18	<n1>+2 to 23	<n1>+3 to 28	<n1>+3 to 35	<n1>+4 to 40	<n1>+4 to 46	<n1>+4 to 56

Table 13 Setting Print Margins

If the left and right margins are set to the right of the current horizontal position, the new left and right margins become valid in the same line. If the left margin is set to the left of the current horizontal position and the right margin to the right of the current horizontal position, the right margin becomes valid in the same line, but the left margin setting becomes valid in the next line. When the left and right margins are set to the left of the current horizontal position, both left and right margin settings appear to become valid in the next line. This is because an AUTO CR is performed by the following data.

---

## Miscellaneous Control

---

---

**Function**      **Clear print buffer**

ASCII            [CAN]  
Hexadecimal    18H  
Decimal         <24>  
IPCL            &%RP  
EPOS            [CAN]

**Description**      This command clears any unprinted information in the printer received before the [CAN]. If the input buffer is not being processed because the printer is out of paper or the form is not inserted, the [CAN] command will not be processed until after the error is cleared. The [CAN] command does not restore default conditions. It only clears the print buffers.

---

**Function**      **Open cash drawer**

ASCII            [ESC] x <n>  
Hexadecimal    1BH 78H <n>  
Decimal         <27> <120> <n>  
IPCL            &%D1 for Cash Drawer 1  
IPCL            &%D2 for Cash Drawer 2  
EPOS            [ESC] p

**Description**      This command energizes cash drawer n for 150 ms. Where <n> = <1> (01H) or 1 (31H) for Cash Drawer 1 and <n> = <2> (02H) or 2 (32H) for Cash Drawer 2. The time period the drawer is activated can be changed in the configuration menu. The activation time can be set from 25 to 250 ms.

**Note**                The open cash drawer commands are processed as part of print data. They are not processed until they are found in the input buffer by the print processor. They are not immediate commands.

**Note**                Cash Drawer 2 is factory configurable in one of two modes. Either Pin 1 or 5 is active depending on an internal jumper setting. The factory default is Pin 1. Cash Drawer 1 is always on Pin 5. The cash drawer status is defined as an open circuit for drawer closed.



<b>Function</b>	<b>Query marker</b>	
ASCII	[ESC] q <n>	
Hexadecimal	1BH 71H <n>	
Decimal	<27> <113>	
IPCL	none	
EPOS	none	
<b>Function</b>	Return status to host Serial/IEEE1284	Parallel, non-IEEE 1284
<b>Response</b>	[SOH] <n>...	Not supported via PE
<b>Description</b>	This command can be placed in the print data and, when processed by the printer, will return a progress status marker. The value of <n> can be any 8-bit value. It is returned to the host unaltered. The intent is for it to be a sequence number. This command can be used to track the print progress of the printer or verify that the data has been printed.	
<b>Note</b>	This command is a line terminator that causes the printer to print all previous data. If a normal line terminator (like a [CR]) is not supplied, right justify and autocenter will not function correctly. All data will be left justified. [ESC] q does not perform a [CR] or [LF] function.	

<b>Function</b>	<b>Print suppress and data pass through</b>	
ASCII	[ESC] < <n>	
Hexadecimal	1BH 3CH <n>	
Decimal	<27> <60> <n>	
IPCL	&%PT <n>	
EPOS	[ESC] = <n>	
<b>Description</b>	This command provides print suppress and data pass through features.	
<b>Where</b>	Bit 0 Printer select Bit 1 Pass through On Bits 2-7 Undefined	
	If Bit 0 is clear, the printer will stop processing data. If Bit 1 is set, the data will be passed through the printer and sent out on the serial port.	
<b>Notes</b>	The pass through command is processed as part of print data. The pass through command is not processed until it is found in the input buffer by the print processor. It is not an immediate command. The printer must be on-line and ready to activate the command. The operation of the command can be altered by the print suppress configuration.	

---

**Function      Control feature commands**

**ASCII**            [ESC] y <n>  
**Hexadecimal**    1BH 79H <n>  
**Decimal**         <27> <121> <n>  
**IPCL**            &%Y0 through 8  
**EPOS**            [ESC] y <n>

**Where n**        0 Disables quiet mode operation  
                  1 Enables quiet mode operation  
                  2 Reinitializes the printer and forces IBM mode  
                  3 Reinitializes the printer and forces EPOS mode  
                  4 Disables IPCL commands  
                  5 Enables IPCL commands  
**Note:** Once disabled, this command will not be a valid IPCL code  
                  8 Enables extended diagnostics

**Description**    This command enables and disables command set features. It is possible that the IPCL commands will interfere with print data. If this is the case, they can be disabled with an [ESC] y <4>. Quiet mode operation prints by making two passes for every pass in normal mode. It generates less noise because only half the print wires are activated in each pass. This mode is very slow and should only be used if quiet operation is needed. ESC y <2> and <3> allow the printer to switch between Normal and EPOS modes. When the switch takes place, the current print buffer is printed and the printer reinitializes. These commands do not permanently change the configuration. A power on reset will restore the mode that was configured in menu mode. A reset by command or from the INIT pin will not restore the mode.

**EPOS Note:**    This command is active in EPOS mode; however, Mode 5 is disabled.

---

**Function      Activate cutter**

**ASCII**            [ESC] v  
**Hexadecimal**    1BH 76H  
**Decimal**         <27> <118>  
**IPCL**            &%FC Cut  
**EPOS**            [ESC] m or [ESC] I

**Description**    This command cuts the receipt tape above the current print line.

**Note**            This command is only effective on printers with a knife.

## Printer Status Set/Inquire

The Series 150 Printer is designed to be used as part of an automated system where the host computer makes every attempt to correct problems with the printer. In addition, the host application requires that it be able to obtain more information from the printer than is typical of normal computer printers. A normal computer printer does not have to deal with cash drawers or validation. As a result, the standard printer protocol must be extended to address the additional features of a POS printer.

The Series 150 Printer has defined a set of status inquiry commands that will allow a host to obtain information about the printer and devices connected to it. The method chosen to interact with the computer is designed to allow a reasonable approach to the host application. It will not always be possible for an existing application to use the inquire commands unless the communication drivers are available to the programmer.

All inquire commands require a response from the printer. For this reason, the parallel, non-IEEE 1284; IEEE 1284; and serial operation of inquire commands are different. In serial and parallel, IEEE 1284 modes, all inquire commands are responded to by an acknowledged (ACK) or not acknowledged (NAK) and then the command ID. In parallel non-IEEE 1284 operation, the paper error (PE) signal is driven as a response to an inquire.

### **Parallel, Non-IEEE 1284 Mode Inquire**

There are several status inquiry commands and inquire control commands. The inquire character is treated differently from all other characters received by the printer. Under normal operating conditions, all information that is sent to the printer is received and placed in a holding buffer. The information stays in the holding buffer until the printer prints or interprets it.

The inquire command in non-IEEE 1284 mode presents a few problems for the printer to decode. In parallel mode, the inquire character is intercepted before it is placed in the print buffer. The next character is looked at to determine if it is a valid inquire command. If it is valid or a graphic, further input is then blocked by not removing the busy status. The buffer is then emptied by the printer during normal operation. If the inquire was false, the command decoder processes a command. If an inquire is found in the data stream at this time, input is unblocked and normal operation is resumed. The printer is unaffected by this unintended operation except that the buffer efficiency is reduced. If the inquire was real, the inquire is processed. This ensures that the response to the inquire is synchronized with the inquire request and that no false inquires are processed.

In parallel, non-IEEE 1284 operation, there is no easy way to return complex information to the host. For this reason, the paper error (PE) signal is used for inquire responses. The fault signal will not be asserted by inquire requests. If a true PE is being signaled, the fault line will also be driven. It is, therefore, possible to distinguish between a paper error and an inquire response.

In parallel mode, the printer will respond to the inquire before the parallel sequence is complete. In other words, when the parallel port acknowledges the ID part of the inquire sequence, the PE signal is valid. The host must, however, remember what status was requested as the printer has no way of signaling that information. In addition, the host must not interpret the PE signal as an error but as a response to an inquire. There are two ways in which inquire responses can be signaled. The PE can be static or dynamic. When a dynamic PE occurs, the inquiry is sent once, and the PE signal follows the requested status. If the PE remains static, the status will not change.

Receipt paper status is always dynamic. If the PE signal is to be returned to the valid paper error state, an [ENQ] <4> should be issued when all other inquires are completed.

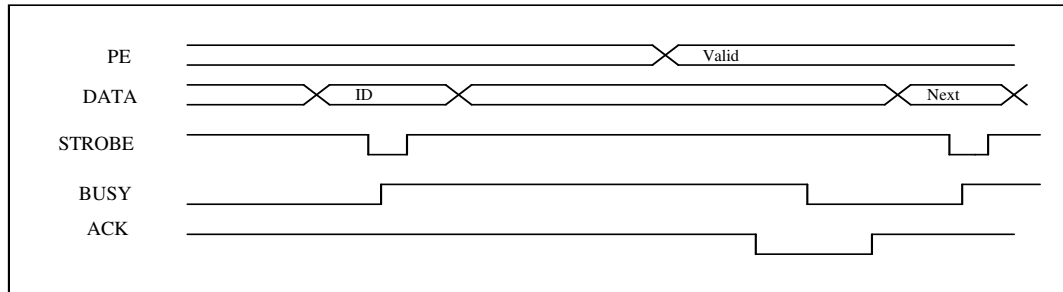


Figure 11 Paper-error to inquire-request timing

### **Serial Mode Inquire**

In serial mode, inquires are not handled any differently than other commands. All inquire commands require a response from the printer and are responded to by an acknowledged (ACK) or not acknowledged (NAK) and then the command ID.

The serial ACK or NAK responses are always uniform and followed with a command ID. This makes the design of the host application easier because the response can be identified and the same format is always followed.

The printer always accepts serial data. When the printer is off-line, serial data is still accepted. It is possible to send inquire commands to the printer even if it is off-line. Because inquire commands are processed before they go in the buffer, the printer will respond even when it is busy printing.

In serial mode, it is desirable that the response to an inquire be received by the host before another inquire command is issued to the printer. When the printer receives an inquire, it must generate a response. If inquires are sent to the printer too fast, the printer could overrun its output buffer.

### **Parallel, IEEE 1284 Mode Inquire**

In parallel, IEEE 1284 mode, there is a way to return status information to the host. After the host makes an inquire request, the host can activate parallel, IEEE 1284 Mode 0 reverse channel and wait for a response from the printer. The response to the inquire is identical to serial mode.

The printer will always accept IEEE 1284 reverse channel requests but will not accept inquire commands when off-line. It is possible to obtain status when off-line by placing the printer in dynamic response mode before the printer goes off-line. The IEEE 1284 reverse channel will then respond to status changes even if the printer is off-line.

---

## Inquire Commands

---

### Function      Inquire printer status

<b>ASCII</b>	[ENQ] <n>
<b>Hexadecimal</b>	05H <n>
<b>Decimal</b>	<5> <n>
<b>IPCL</b>	none
<b>EPOS</b>	[GS] r or [DLE] [ENQ] or [DLE] [EOT]

**Description**      This command inquires as to the printer's status and returns the result. The following inquires are defined.

**Note**                If the printer is off-line, inquires may not be accepted.

---

### Function      Inquire Cash Drawer 1 status

<b>ASCII</b>	[ENQ] <1>
<b>Hexadecimal</b>	05H 01H
<b>Decimal</b>	<5> <1>

**Function**            Cash Drawer 1 status  
Serial/Parallel, IEEE 1284 Parallel, non-IEEE 1284

**Response**            ACK <1> (06H 01H)      PE low                  Cash Drawer 1 is closed.  
NAK <1> (15H 01H)      PE high                 Cash Drawer 1 is open.  
The cash drawer status is defined as open circuit being drawer closed.

---

### Function      Inquire Cash Drawer 2 status

<b>ASCII</b>	[ENQ] <2>
<b>Hexadecimal</b>	05H 02H
<b>Decimal</b>	<5> <2>

**Function**            Cash Drawer 2 status  
Serial/Parallel, IEEE 1284 Parallel, non-IEEE 1284

**Response**            ACK <2> (06H 02H)      PE low                  Cash Drawer 2 is closed.  
NAK <2> (15H 02H)      PE high                 Cash Drawer 2 is open.  
The cash drawer status is defined as open circuit being drawer closed.



---

<b>Function</b>	<b>Is the buffer empty? Clear IEEE 1284 buffer.</b>		
ASCII	[ENQ] <9>		
Hexadecimal	05H 09H		
Decimal	<5> <9>		
Function	This command allows the host to know when the print buffer is empty. If IEEE 1284 is active, this command also clears the response buffer. Serial/Parallel, IEEE 1284 Parallel, non-IEEE 1284		
Response	ACK <9> (06H 09H)	PE low	The buffer is empty.
	NAK <9> (15H 09H)	PE high	The buffer is not empty.

**Function Request printer reset**

**ASCII** [ENQ] <10>  
**Hexadecimal** 05H 0AH  
**Decimal** <5> <10>

**Function** Reset printer  
 Serial Parallel mode

**Response** ACK <10> (06H 0AH) No response in parallel mode. The command was accepted.  
 NAK <10> (15H 0AH) The command was rejected.

**Description** This command is similar to asking for a power-on reset except no internal diagnostics are run. The internal print buffer will be cleared. The printer will be ready to except new information when the acknowledged (ACK) response is sent. In parallel mode, the INIT signal should be used because this command will be rejected. (In serial/parallel mode, the command will also be rejected).

**Function Inquire power cycle status**

**ASCII** [ENQ] <11>  
**Hexadecimal** 05H 0BH  
**Decimal** <5> <11>

**Function** **Has the printer been power cycled since the last request?**  
 Serial/Parallel, IEEE 1284 Parallel, non-IEEE 1284

**Response** ACK <11> (06H 0BH) PE low Printer power has been cycled  
 since last [ENQ] <11>.  
 NAK <5> (15H 0BH) PE high Printer has not power cycled  
 since last [ENQ] <11>.

**Description** The first time after a reset this command will return [ACK] <11>, after that the command will return [NAK] <11>. This command allows the application to determine if the printer has been power cycled and needs to be reinitialized. The [ENQ] <10> command and the INIT signal on the parallel port will both cause the printer to return power-up status.



**Function**      **Inquire printer state**

ASCII            [ENQ] &lt;15&gt;

Hexadecimal    05H 0FH

Decimal         &lt;5&gt; &lt;15&gt;

**Function**      **Returns current printer state**

Serial/Parallel, IEEE1284 Parallel, non-IEEE 1284

**Response**      [ACK] <15> <n> <r1> <r2>...

Not supported via PE

**Where**           <15> is the echo of the command ID.

n = number of return bytes + 40 (to prevent confusion with XON/XOFF).

<r1>:    Bit 0 = Form clamp closed  
          Bit 1 = Undefined  
          Bit 2 = Receipt paper out  
          Bit 3 = Undefined  
          Bit 4 = In error state (Waiting for error to be cleared)  
          Bit 5 = Undefined  
          Bit 6 = 1 always  
          Bit 7 = 0 always

<r2>:    Forms processing state  
040H    No forms processing  
044H    Waiting for validation mode or for paper path to be cleared.  
045H    Waiting for an internal delay time-out (auto clear)  
          Other states may be active but will automatically be cleared.

---

**Function      Inquire all printer status**

**ASCII**            [ENQ] <20>

**Hexadecimal**    05H 14H

**Decimal**         <5> <20>

**Function      Returns all status flags**

Serial/Parallel, IEEE1284 Parallel, non-IEEE 1284

**Response**      [ACK] <20> <n> <r1> <r2>...      Not supported via PE

**Where**           <20> is the echo of the command ID.  
n = number of return bytes + 40 (to prevent confusion with XON/XOFF).

---

<r1>:    Bit 0 = Cash Drawer 1 open  
         Bit 1 = Cash Drawer 2 open  
         Bit 2 = Receipt paper out  
         Bit 3 = Undefined  
         Bit 4 = Undefined  
         Bit 5 = Form sensor detects paper  
         Bit 6 = 1 always  
         Bit 7 = 0 always

---

<r2>:    Bit 0 = Form clamp closed  
         Bit 1 = Undefined  
         Bit 2 = Buffer empty  
         Bit 3 = Printer power cycled (does not affect state of power cycled flag)  
         Use [ENQ] <11> to reset.  
         Bit 4 = Printer waiting in error mode  
         Bit 5 = Undefined  
         Bit 6 = 1 always  
         Bit 7 = 0 always

---

<r3>:    Bit 0 = Receipt station selected  
         Bit 1 = Top validation station selected  
         Bit 2 = Undefined  
         Bit 3 = Waiting for form  
         Bit 4 = Undefined  
         Bit 5 = Printer blocking print (Out of paper)  
         Bit 6 = 1 always  
         Bit 7 = 0 always

---

<r4>:    Bit 0 = Printer supports receipt  
         Bit 1 = Printer supports inserted forms  
         Bit 2 = Undefined  
         Bit 3 = Printer supports cutter

**Function      Inquire printer ID**

ASCII            [ENQ] &lt;21&gt;

Hexadecimal    05H 15H

Decimal         &lt;5&gt; &lt;21&gt;

**Function      Returns printer IEEE 1284 ID string**

Serial/Parallel, IEEE1284 Parallel, non-IEEE 1284

**Response**     [ACK] <21> <n> {ID string}

Not supported via PE

Where &lt;21&gt; is the echo of the command ID.

&lt;n&gt; = number of return bytes in the ID string

{ID string} is the IEEE 1284 ID return string, which is as follows:

MFG:Ithaca-Periph.;

CMD:M150CL,IPCL;

CLS:PRINTER;

MDL:S150 PcOS;

DES:Ithaca-Peripherals Series 150;

REV:01.00;

OPTS:\$51xy

Where x is a bit field defined as follows:

Bit 0 = Alternate print zone

Bit 1 = 0 not defined

Bit 2 = 0 not defined

Bit 3 = Always 0

Bit 4 = Always 1

Bit 5 = Always 1

Bit 6 = Always 0

Bit 7 = Always 0

and y is a bit field defined as follows:

Bit 0 = Slip capability

Bit 1 = Knife installed

Bit 2 = MICR installed

Bit 3 = Always 0

Bit 4 = Always 1

Bit 5 = Always 1

Bit 6 = Always 0

Bit 7 = Always 0

---

## Extended Diagnostic Commands

---

Function	Extended diagnostics
----------	----------------------

ASCII	[ESC] ~ <n>
Hexadecimal	1BH 7EH
Decimal	<27> <126>
IPCL	none
EPOS	[ESC] ~ <n>

Where n =	0	Prints model, configuration, and serial number
	1 <n>	Sets vertical alignment (<n> is the alignment value.)
	2	Decreases vertical alignment adjustment
	3	Increases vertical alignment adjustment
	4	Prints a vertical adjustment alignment chart
	[ACK]	Returns a configuration synchronization code
	C <a> <d>	Changes EEPROM data at <a> to <d> (pass code locked)
	D	Returns menu to default (pass code locked)
	I	Returns ROM ID
	P	Forces IEEE 1284 mode (This does not alter menu RAM.)
	R	Reads and returns the menu RAM
	S	Forces serial mode (This does not alter menu RAM.)
	T	Clears the totals (pass code locked)
	W	Writes menu RAM back to EEPROM (pass code locked)
	Z	Halts the software
	[CAN]	Forces the printer to power cycle

**Note** <n> Written to the EEPROM if the EEPROM save sequence is processed.

**Description** These commands are designed to be used by the factory to help adjust and test the printer. There is no guarantee that these commands are valid and/or stable. They are not intended for use by the end user. To prevent accidental use of these commands, they must be enabled by an [ESC] y <8> command. In some cases, a pass code sequence is also required.

**Write EEPROM** This command allows specific Menu RAM locations to be written. The definition of the locations is not defined here. This command is intended for use by the factory and is only active if a pass code is sent to the printer.

## EPOS Codes

This section lists the EPOS codes that are supported by the Series 150 Printer. TransAct has no control over how Epson extends or changes these control codes. TransAct makes no guarantees as to the operation of its printer when it replaces an Epson printer. The EPOS emulation is intended to make it as easy as possible to replace an Epson printer with an Ithaca Series 150 Printer. The following section lists the EPOS commands that are processed. They are as close as possible to Epson printers. The user must remember that the Series 150 Printer is not designed as a drop-in replacement for an Epson printer. The Series 150 Printer is designed to bring new and unique features and functionalities to a POS receipt/validation printer.

### Real-time Status

The Series 150 Printer is available in serial and parallel versions. When Epson supports parallel operation, the company redefines some of the standard IEEE 1284 interface signals to be special status lines. The Series 150 Printer does not alter the IEEE 1284 standard. If an application requires real-time status from the printer, the IEEE 1284 bidirectional protocol must be used. The Series 150 Printer supports real-time status. The EPOS real-time status commands [DLE] [ENQ] and [DLE] [EOT] are processed by the printer. The printer, however, does not support all the response bit fields. See the descriptions below.

**EPOS Command Summary**

Please refer to the Epson ESC/POS Information Manual for field definitions. The following is a list of the EPOS commands that are supported.

Command	Comment	Description
[BEL]	Extension	Activate sound buzzer.
[VT]	Extension	Set vertical tabs.
[LF]		Set line feed.
[FF]		Eject form.
[HT]	Extension	Set horizontal tabs.
[BS]	Extension	
[CR]		Set carriage returns.
[CAN]	Not the same	Cancel print.
[ESC] [BEL]	Extension	Activate sound buzzer.
[ESC] SI	Extension	Set 24 cpi.
[ESC] [SP] <n>		Set right-side character spacing.
[ESC] ! <n>		Select print modes.
[ESC] \$ <n <sub>L</sub> > <n <sub>H</sub> >		Set absolute print position.
[ESC] % <n>	Not implemented	Select or cancel the user-defined character set.
[ESC] & ...	Not implemented	Define user-defined characters.
[ESC] * <m> <n>1 <n>2	Extension	Select single-density bit image mode.
[ESC] - <n>		Turn underline mode ON/OFF.
[ESC] 0		Set eight lines per inch spacing.
[ESC] 1		Set 7/72-inch spacing.
[ESC] 2		Set 6 lines per inch spacing.
[ESC] 3 <n>		Set line spacing.
[ESC] 4	Extension	Set italic mode set.
[ESC] 5	Extension	Set italic mode reset.

Table 14 EPOS Command Summary (page 1)

[ESC] <		Return home (not necessary with the Series 150 printer).
[ESC] =	Not the same	Select peripheral device (Pass through).
[ESC] ?	Ignored	Cancel user-defined characters.
[ESC] @		Initialize printer.
[ESC] B <n>1 <n>2 <n>3 ... <n>i 0	Extension	Set vertical tab stops.
[ESC] C <n>	Similar	Set form length.
[ESC] D <n>1 <n>2 <n>3 ... <n>i 0	Extension	Set horizontal tab stops.
[ESC] E <n>		Turn emphasize mode ON/OFF.
[ESC] G <n>		Turn double-strike mode ON/OFF.
[ESC] J <n>		Print and feed.
[ESC] K <n>	Not implemented	Print and reverse feed.
[ESC] M <n>		Select character font.
[ESC] Q <n>		Set right margin in characters.
[ESC] R <n>		Select International Character Set.
[ESC] U <n>		Turn unidirectional mode ON/OFF.
[ESC] V <n>	Similar	Turn 90° clockwise mode ON/OFF.
[ESC] [ <m> <n>		Select code page/print features (same as normal mode).
[ESC] \ <n <sub>L</sub> > <n <sub>H</sub> >		Set relative print position.
[ESC] ^ ...		Set Epson 9-pin bit image.
[ESC] a <n>		Set left, center, or right justify.
[ESC] b <n>		Print bar code (same as normal mode).
[ESC] c <n>	Similar	Select station. See description below.
[ESC] d <n>		Feed <n> lines.
[ESC] e <n>	Not implemented	Print and reverse feed.
[ESC] f <t1> <t2>	Similar	Set wait time. See description below.
[ESC] I		Set full cut.
[ESC] l <n>		Set left margin in characters.
[ESC] m		Set partial cut.
[ESC] p <m> <t1> <t2>	Similar	Generate pulse. See description below.
[ESC] q		Release form.
[ESC] t <n>		Select Character Code Table (may vary from Epson Select Code).
[ESC] u <n>		Return status of cash drawer (Serial and IEEE 1284 only).
[ESC] v	Extension	Return null byte to host.
[ESC] x <n>	Extension	Set print font (same as Normal [ESC] I <n>).
[ESC] { <n>		Turn upside down print ON/OFF.
[ESC] ~ <n>	Extension	Test mode diagnostic commands.
[GS] !		Select character size.
[GS] I <n>		Transmit specified ID (different than Epson).
[GS] L ...		Set left margin in 1/160 inch.
[GS] W ...		Select printable area in 1/160 inch.
[GS] h <n>	Extension	Set bar code height.
[GS] k <m> ... <0>	Extension	Print bar code.

Table 15 EPOS Command Summary (page 2)

## **EPOS Deviations**

There are several important differences between the Series 150 and EPSON printers. The closest EPSON printer to the Series 150 is the TM-U325. An application that was written for the EPSON printer may require some modification to use the Series 150.

## **Command Descriptions**

---

### **Function      Activate buzzer**

**ASCII**            [BEL] or [ESC] [BEL]

**Description**    This command activates the sound buzzer.

**Note**             This command only functions if the internal buzzer option was installed at the factory.

---

### **Function      Eject form**

**ASCII**            [FF]

**Description**    The Series 150 Printer does not support page mode. The printer will eject a form.

---

### **Function      Cancel print data**

**ASCII**            [CAN]

**Description**    The Series 150 Printer uses [CAN] to clear the printer line buffer.

---

### **Function      Return home**

**ASCII**            [ESC] <

**Description**    The Series 150 Printer does not need this command. The Series 150 Printer never loses track of the print head. The affect of this command is to set the next print line to print from left to right.

---

### **Function      Select peripheral device**

**ASCII**            [ESC] = <n>

**Description**    The Series 150 Printer does not support the Epson Pole Display. This command provides print suppress and data pass through functions.

**Where**           Bit 0    Printer select  
                     Bit 1    Pass through  
                     Bits 2-7 Undefined

---

### **Function      Set form length**

**ASCII**            [ESC] C <n>

**Description**    The Series 150 Printer uses this command to set the form length.



**Function Set print direction**

ASCII [ESC] T <n>

Description The Series 150 Printer does not implement page mode. This command uses the normal rotated print format procedures. See [ESC] r <n> in normal mode.

Note EPOS reverses Modes 1 and 3.

**Function Print graphics**

ASCII [ESC] \* <m> <n><sup>1</sup> <n><sup>2</sup>

Description The Series 150 Printer defines the extended graphic modes. Mode 4 is normally 80 dpi. The Series 150 Printer does not support 80 dpi. If Mode 4 is selected, 72 dpi will be used. Print  $n_1 + 256 * n_2$  bytes of graphics where m specifies the density.

<b>Where m</b>	0	Single-density graphics	60 dpi
	1	Double-density graphics	120 dpi
	2	Double-density half-speed graphics	120 dpi
	3	High-density graphics	240 dpi
	4, 5	CRT II screen	72 dpi
	6	CRT I screen	90 dpi
	7	Dual plotter	144 dpi

**Function Turn 90° clockwise font ON/OFF**

ASCII [ESC] V <n>

Description The Series 150 Printer uses the rotated 90° font to implement this command. If one dot spacing is selected, ten cpi is used. If 1.5 dot spacing is selected, eight cpi is used.

**Function Select print paper**

ASCII [ESC] c 0 <n>

Description The Series 150 Printer uses this command to select a print station. The Series 150 Printer does not keep track of different settings for each mode. If a specific print mode is required, it must be respecified.

**Function Select print paper for setting**

ASCII [ESC] c 1 <n>

Description The Series 150 Printer does not keep track of different settings for each mode. If a specific print mode is required, it must be respecified.

**Function Select detectors to stop printing**

ASCII [ESC] c 4 <n>

Description The Series 150 Printer does not stop at the end of forms. The application must keep track of the form length.

<b>Function</b>	<b>Enable/disable panel buttons</b>																		
ASCII	[ESC] c 5 <n>																		
Description	The Series 150 Printer does not allow the front panel to be disabled.																		
<b>Function</b>	<b>Enable/disable on-line switch</b>																		
ASCII	[ESC] c 6 <n>																		
Description	The Series 150 Printer ignores this command.																		
<b>Function</b>	<b>Generate pulse</b>																		
ASCII	[ESC] p <m> <t1> <t2>																		
Description	The Series 150 Printer does not allow the cash drawer pulse to be altered under software control. The <t1> <t2> parameters are ignored. <m> selects Drawer 1 or 2.																		
<b>Function</b>	<b>Set impact energy</b>																		
ASCII	[GS] E <n>																		
Description	The Series 150 Printer allows higher impact energy in validation modes only.																		
<b>Function</b>	<b>Set bar code height</b>																		
ASCII	[GS] h <n>																		
Description	This command sets the bar code height in dot lines. The Series 150 Printer prints bar codes in eight dot passes in graphics. The height used in EPOS is intended for thermal printers. To allow some type of compatibility between EPOS and the Series 150 Printer, the value of <n> is divided by 28. This allows a similar size bar code to be printed.																		
Note	Values less than 28 return the printer to the default values defined by the [ESC] [EM] B command in normal mode.																		
<b>Function</b>	<b>Set bar code</b>																		
ASCII	[GS] k <m> {information} [NUL]																		
Description	The Series 150 Printer uses the same print functions to print EPOS bar codes as the normal mode bar codes. EPOS has two formats for bar codes. One is [NUL] terminated; the other has a length field. If <m> is greater than 64, the next byte sets the length in bytes. Only the [NUL] terminated command is supported by the Series 150 Printer.																		
Where m	<table border="0"> <tbody> <tr> <td>0</td> <td>UPC A</td> <td>Numeric (0-9) only, 11 digits maximum</td> </tr> <tr> <td>1</td> <td>UPC E</td> <td>Numeric (0-9) only, 11 digits maximum</td> </tr> <tr> <td>2</td> <td>EAN-13</td> <td>Numeric (0-9) only, 12 digits maximum</td> </tr> <tr> <td>3</td> <td>EAN-8</td> <td>Numeric (0-9) only, 6 digits maximum</td> </tr> <tr> <td>4</td> <td>Code 39</td> <td>26 uppercase letters (A-Z), 10 digits (0-9)</td> </tr> <tr> <td>5</td> <td>Interleaved 2 of 5</td> <td>Numeric (0-9) only, must be even number of digits</td> </tr> </tbody> </table>	0	UPC A	Numeric (0-9) only, 11 digits maximum	1	UPC E	Numeric (0-9) only, 11 digits maximum	2	EAN-13	Numeric (0-9) only, 12 digits maximum	3	EAN-8	Numeric (0-9) only, 6 digits maximum	4	Code 39	26 uppercase letters (A-Z), 10 digits (0-9)	5	Interleaved 2 of 5	Numeric (0-9) only, must be even number of digits
0	UPC A	Numeric (0-9) only, 11 digits maximum																	
1	UPC E	Numeric (0-9) only, 11 digits maximum																	
2	EAN-13	Numeric (0-9) only, 12 digits maximum																	
3	EAN-8	Numeric (0-9) only, 6 digits maximum																	
4	Code 39	26 uppercase letters (A-Z), 10 digits (0-9)																	
5	Interleaved 2 of 5	Numeric (0-9) only, must be even number of digits																	
Note	If Code 128 is to be printed, it must be printed with the [ESC] b <n> command as described on page 54.																		

## MICROLINE Codes

This section lists the MICROLINE codes that are supported by the PcOS Series 150 Printer. TransAct has no control over how Okidata extends or changes these control codes. TransAct makes no guarantees as to the operation of its printer when it replaces an Okidata printer. The MICROLINE emulation is intended to make it as easy as possible to replace an Okidata printer with a Series 150 Printer. The following section lists the MICROLINE commands that are processed. They are as close as possible to Okidata printers. The user must remember that the Series 150 Printer is not designed as a drop-in replacement for an Okidata printer. The PcOS Series 150 Printer is designed to bring new and unique features and functionalities to a POS receipt/validation printer.

### MICROLINE Command Summary

Please refer to the Okidata MICROLINE Information Manual for field definitions. The following is a list of the MICROLINE commands that are supported.

Command	Description
[VT]	Set vertical tabs.
[LF]	Set line feed.
[FF]	Set form feed.
[HT]	Set horizontal tab.
[BELL]	Open Cash Drawer 1.
[BS]	Open Cash Drawer 2.
[CR]	Set carriage returns.
[CAN]	Clear print buffer.
[EM]	Set full cut.
[SUB]	Set partial cut.
[ESC]	Begin escape sequence.
[FS]	Set 12 cpi.
[GS]	Set 17 cpi.
[RS]	Set 10 cpi.
[US]	Start double-wide print.
[ESC] HT <n>1 <n>2 <n>3 ... <n>i 0	Set horizontal tabs. (Sets tabs at columns $n^1 n^2 \dots n^k 0$ )
[ESC] [DC1]	Set open for validation.
[ESC] [DC3]	Set close for validation.
[ESC] [DC4]	Select validation mode with autoform sense.
[ESC] ! /	Begin italics (Utility 10/12 cpi mode only).
[ESC] ! *	End italics.
[ESC] # 0	Select high speed draft (HSD) mode.
[ESC] % 5 <n>	Perform fine line feed.
[ESC] % 9 <n>	Set fine line spacing.
[ESC] +	Open Cash Drawer 1.
[ESC] -	Select unidirection print.
[ESC] 0	Select utility print mode.
[ESC] 1	Select near letter quality (NLQ) mode.

Table 16 MICROLINE Command Summary (page 1)

[ESC] 6	Set 6 lines per inch.
[ESC] 8	Set 8 lines per inch.
[ESC] C	Start underline.
[ESC] D	Stop underline.
[ESC] J	Start superscript.
[ESC] M	Stop superscript.
[ESC] N	Start subscript.
[ESC] M	Stop subscript.
[ESC] T	Begin emphasized print (half speed).
[ESC] H	Begin enhanced print (double pass).
[ESC] I	End emphasized/enhanced print.
[ESC] K <n> <sup>1</sup> <n> <sup>2</sup>	Set single-density graphics. n1=0..255 n2=0..3 len=n1 + 256 * n2
[ESC] L <n> <sup>1</sup> <n> <sup>2</sup>	Set double-density half-speed graphics. n1=0..255 n2=0..3 len=n1 + 256 * n2
[ESC] Y <n> <sup>1</sup> <n> <sup>2</sup>	Set double-density full-speed graphics. n1=0..255 n2=0..3 len=n1 + 256 * n2
[ESC] Z <n> <sup>1</sup> <n> <sup>2</sup>	Set quad-density full-speed graphics. n1=0..255 n2=0..3 len=n1 + 256 * n2
[ESC] r <n>	Set rotated print. n=0 end n=2 upside down
N/A	Print bar code. Interleaved 2 of 5 Code 39 Code 128
	<b>Communication Echo Mode</b> <b>(Serial interface only)</b>
[ESC] #	Turn on echo mode.
[ESC] d	Turn on alternate echo mode.
[ESC] "	Turn off echo mode.
[ESC] RS	Turn off alternate echo mode.

Table 17 MICROLINE Command Summary (page 2)

## Star Codes

This section lists the Star codes that are supported by the PcOS Series 150 Printer. TransAct has no control over how Star extends or changes these control codes. TransAct makes no guarantees as to the operation of its printer when it replaces a Star printer. The Star emulation is intended to make it as easy as possible to replace a Star printer with a PcOS Series 150 Printer. The following section lists the Star commands that are processed. They are as close as possible to a Star printer. The user must remember that the Series 150 Printer is not designed as a drop in replacement for a Star printer. The PcOS Series 150 Printer is designed to bring new and unique features and functionalities to a POS receipt/validation printer.

### Star Command Summary

Please refer to the Star Information Manual for field definitions.

The following is a list of the Star commands that are supported.

Command	Description
<b>Control codes used in character setting</b>	
[ESC] M	Select 15-cpi character size.
[ESC] P	Select 12-cpi character size.
[ESC] :	Select 8-cpi character size.
[SO]	Select expanded character mode.
[DC4]	Cancel expanded character mode.
[ESC] E	Select emphasized print mode.
[ESC] F	Cancel emphasized print mode.
[ESC] - 1	Select underline mode.
[ESC] - 0	Cancel underline mode.
[ESC] _ 1	Select overline mode.
[ESC] _ 0	Cancel overline mode.
[SI]	Select inverted print mode.
[DC2]	Cancel inverted print mode.
<b>Control codes used in line spacing</b>	
[LF]	Set line feed.
[CR]	Set carriage return.
[ESC] z 1	Set 1/6-inch line feed.
[ESC] 0	Set 1/8-inch line feed.
[ESC] a <n>	Feed paper n lines.
<b>Control codes used for page layout</b>	
[FF]	Set form feed.
[ESC] C <n>	Set page length at n lines.
[ESC] C <0> <n>	Set page length at n inches.
[VT]	Set vertical tabs.
[ESC] B <n1> <n2>	Set vertical tab positions.
[ESC] I <n>	Set left margin.
[ESC] Q <n>	Set right margin.
[HT]	Set horizontal tabs.
[ESC] D <n1> <n2>	Set horizontal tab positions.

Table 18 Star Command Summary (page 1)

(Continued)

Command	Description
<b>Control codes used for graphic printing</b>	
[ESC] 1	Set 7/72-inch line feed.
[ESC] A	Define n/72-inch line feed.
[ESC] 2	Set n/72-inch line feed.
[ESC] J <n>	Set one-time line feed of n/72-inch.
[ESC] z 0	Set 1/12-inch line feed.
[ESC] K <n1> <0>	Set 8-dot single-density bit image.
[ESC] L <n1> <n2>	Set 8-dot double-density bit image.
[ESC] h 1	Select vertical expanded character mode.
[ESC] h 0	Cancel vertical expanded character mode.
<b>Control codes used for peripheral units</b>	
[BEL]	Defer drive command for Peripheral Unit 1.
[EM]	Set immediate drive command for Peripheral Unit 2.
[FS]	Set immediate drive command for Peripheral Unit 1.
[SUB]	Set immediate drive command for Peripheral Unit 2.
<b>Other control codes</b>	
[RS]	Activate sound buzzer. <sup>11</sup>
[CAN]	Cancel print data in buffer.
[ESC] U 1	Select unidirectional print mode.
[ESC] U 0	Select bidirectional print mode.
[ESC] @	Initialize printer.
[ESC] ! *	End italics.
[ENQ]	Perform inquiry.
[ESC] d 0	Cycle autocoder. <sup>12</sup>
[ESC] d 1	Cycle autocoder.
[ESC] W 1	Select expanded character mode.
[ESC] W 0	Cancel expanded character mode.
[ESC] y <n>	Set n/144-inch line feed.
[ESC] 3 <n>	Set n/216-inch line feed.

Table 19 Star Command Summary (page 2)

<sup>11</sup> This command only functions if the internal buzzer option was installed at the factory.

<sup>12</sup> The printer can be equipped with either a full or partial cutter option.

## NCR2567 Codes

This section lists the NCR codes that are supported by the PcOS Series 150 Printer. TransAct has no control over how NCR extends or changes these control codes. TransAct makes no guarantees as to the operation of its printer when it replaces an NCR printer. The NCR emulation is intended to make it as easy as possible to replace an NCR printer with a Series 150 Printer.

The following section lists the NCR commands that are processed. They are as close as possible to NCR printers. The user must remember that the Series 150 Printer is not designed as a drop-in replacement for an NCR printer. The PcOS Series 150 Printer is designed to bring new and unique features and functionalities to a POS receipt/validation printer.

### NCR Command Summary

Please refer to the NCR Information Manual for field definitions. The following is a list of the NCR commands that are supported.

Command	Description
[ENQ]	Send status byte to host.
[BEL]	Open Cash Drawer 1.
[BS]	Open Cash Drawer 1.
[LF]	Set line feed.
[FF]	Advance form one line.
[SO]	Set one-line double-wide mode.
[SI]	Cancel double-wide command.
[DLE]	Clear all printer and interface functions.
[DC1]	Deactivate all option drivers.
[DC2]	Set one-line double-wide alternate command.
[DC3]	Cancel double-wide alternate command.
[DC4] n	Set paper feed n lines.
[NAK] n	Feed n dot rows after each print line.
[SYN] n	Set number of dot rows fed after each print line.
[ETB]	Print buffer contents; advance one line.
[CAN]	Perform validation open assembly.
[EM]	Perform knife cut.
[SUB]	Perform knife cut.
[GS]	Close platen when form is present.
[RS]	Close platen when form is present.

Table 20 NCR Command Summary

## Telpar Codes

This section list the Telpar codes that are supported by the PcOS Series 150 Printer. The Telpar emulation is intended to make it as easy as possible to replace a Series 50 Printer with a Series 150.

### Telpar Command Summary

The following is a list of the Telpar commands that are supported.

Command	Description
[CR]	Print and carriage return.
[LF]	Print and line feed.
[ESC] [LF] <n>	Feed <n> number of lines.
[FF]	Advance to top of form.
[CAN]	Clear buffer; restore defaults.
[ESC] 0 <n>	Set page length in lines.
[ESC] 3 <n>	Set extra dot row feeds per line.
ESC VT <n>	Feed <n> number of dot rows.
[ESC] @	Reset printer.
[SO]	Set double-wide print.
[SI]	Cancel double-wide print.
[BEL]	Open Cash Drawer 1.
[ESC] +	Open Cash Drawer 1.
[ESC] !	Open Cash Drawer 1.
[ESC] [BEL] <n>	Open Cash Drawer 1.
[ESC] a <n>	Open Cash Drawer 1.
[ESC] c <n>	Open Cash Drawer 1.
[ESC] b <n>	Open Cash Drawer 2.
[ESC] d <n>	Open Cash Drawer 2.
[ESC] " <n>	Open Cash Drawer 2.
[ESC] [DEL]	Deactivate all option drivers.
[ESC] [DC1]	Open for validation.
[ESC] [DC3]	Close for validation.
[ESC] [NAK]	Close for validation with autoform sense.
[ESC] [SYN] <n>	Close for validation with autoform sense.
[ESC] [DC2]	Cycle autocutter.
[VT]	Feed to cut position.
[SOH] <n>	Select multidrop printer.
[SOH] A	Select printer with address, A.
[SOH] B	Select printer with address, B.
[SOH] C	Select printer with address, C.
[SOH] [DC3]	Select all printers.

Table 21 Telpar Command Summary



## Control Codes Summary by Code

Normal ASCII	Second ASCII field	Hex Code	IPCL equivalent code	Description	Page
[NUL]		00		Null	
[ENQ]	<n>	05H		Set inquire status. (Refer to command descriptions.)	67
[BS]		08H	&%BS	Set back space.	23
[HT]		09H	&%HT	Set horizontal tabs.	23
[LF]		0AH	&%LF	Set line feed.	22
[VT]		0BH	&%VT	Set vertical tabs.	27
[FF]		0CH	&%FF	Set form feed.	27
[CR]		0DH	&%CR	Set carriage return.	22
[SO]		0EH	&%MW	Se one-line double-wide print.	40
[SI]		0FH	&%F1	Set 17 cpi.	38
[DC2]		12H	&%F3	Set 10 cpi.	38
[DC4]		14H	&%MN	Cancel one-line double-wide print.	40
[CAN]		18H	&%RP	Clear print buffer.	62
[ESC]	[SI]	1BH,0FH	&%F4	Set 24 cpi.	38
[ESC]	[DC1]	1BH,11H	&%VO	Open for validation.	59
[ESC]	[DC3]	1BH,13H	&%VC	Close for validation.	59
[ESC]	[DC4]	1BH,14H	&%VS	Select validation mode with autofrom sense.	59
[ESC]	[EM] B <n>	1BH,19H, 42H	&%BH <m <sub>1</sub> >	Set bar code height. n=0 Restore defaults n=1-9 Number of passes (0.11" per pass)	57
[ESC]	[EM] C <n>	1BH,19H, 43H	&%ZC <m <sub>1</sub> ><m <sub>2</sub> >	Set validation clamp delay.	60
[ESC]	[EM] J <n>	1BH,19H, 4AH	&%BJ <m <sub>1</sub> ><m <sub>2</sub> >	Set bar code justification.	57
[ESC]	[EM] V <n>	1BH,19H, 56H	&%ZV<m <sub>1</sub> ><m <sub>2</sub> >	Set validation time-out.	60
[ESC]	# <0>	1BH,23H, 30H	&%QT	Begin HSD mode.	29
[ESC]	\$	1BH,24H		Copy ROM character set to RAM character set.	35
[ESC]	% G	1BH,25H, 47H	&%MI	Begin italics.	45
[ESC]	% H	1BH,25H, 48H	&%CI	End italics.	45
[ESC]	* <m><n> <sup>1</sup> <n> <sup>2</sup>	1BH,2AH		Print graphics in mode <m>.	52
[ESC]	! <n>	1BH,21H	&%CS<n>	Select the International Character Set.	31
[ESC]	- <n>	1BH,2DH	&%CU {n=0} &%MU {n=1}	Set underline. n=0 end n=1 begin	42
[ESC]	0	1BH,30H	&%ST	Set 1/8-inch line space.	25
[ESC]	1	1BH,31H	&%SG	Set 7/72-inch line space.	26

Normal ASCII	Second ASCII field	Hex Code	IPCL equivalent code	Description	Page
[ESC]	2	1BH,32H		Begin variable line spacing. (This enables [ESC] A <n>).	26
[ESC]	3 <n>	1BH,33H	&%SV <m <sub>1</sub> ><m <sub>2</sub> > <m <sub>3</sub> >	Set variable space n/216-inch. Where n=1..255 defines the feed used by line feed.	25
[ESC]	4	1BH,34H	&%TF	Set top of form.	27
[ESC]	5 <n>	1BH,35H	&%CA {n=0} &%MA {n=1}	Set auto line feed. n=0 end n=1 begin	28
[ESC]	8	1BH,38H	&%PF	Disable paper error sensor.	58
[ESC]	9	1BH,39H	&%PO	Enable paper error sensor.	58
[ESC]	:	1BH,3AH	&%F2	Set 12 cpi.	38
[ESC]	< <n>	1BH,3CH	&%PT	Set print suppress and pass through.	63
[ESC]	=<n1> <n2> <start code> <data>	1BH,3DH		Download character font image.	35
[ESC]	> <n>	1BH,3EH		Enable custom character set. n=0 Off n=1 On	23
[ESC]	? <m><n>	1BH,3FH		Reassign graphic mode.	52
[ESC]	A <n>	1BH,41H		Set variable line spacing to n/72. Where n=1..85 is enabled by [ESC] 2.	26
[ESC]	B <n <sub>1</sub> > <n <sub>2</sub> ><n <sub>3</sub> >... <n <sub>i</sub> > <0>	1BH,42H		Set vertical tab stops.	27
[ESC]	C <n>	1BH,43H	&%SL <m <sub>1</sub> ><m <sub>2</sub> >	Set form length in lines.	28
[ESC]	C [NUL] <n>	1BH,43H	&%SI <m <sub>1</sub> ><m <sub>2</sub> >	Set form length in inches.	28
[ESC]	D<n <sub>1</sub> > <n <sub>2</sub> ><n <sub>3</sub> >.. <n <sub>i</sub> ><0>	1BH,44H		Set horizontal tab stops.	23
[ESC]	E	1BH,45H	&%MM	Begin emphasized print.	44
[ESC]	F	1BH,46H	&%CM	End emphasized print.	44
[ESC]	G	1BH,47H	&%ME	Begin enhanced print.	43
[ESC]	H	1BH,48H	&%CE	End enhanced print.	44
[ESC]	I <n>	1BH,49H	&%QT {n=0} &%QU {n=1} &%QL {n=2} &%QS {n=3}	Select print mode. n=0 High Speed Draft n=1 Utility n=2 NLQ Courier n=3 NLQ Sans Serif	29
[ESC]	J <n>	1BH,4AH	&%FM <m <sub>1</sub> ><m <sub>2</sub> ><m <sub>3</sub> >	Do a fine line feed.	25
[ESC]	K <n> <sup>1</sup> <n> <sup>2</sup>	1BH,4BH		Set single-density graphics (60h x 72 v dpi).	51
[ESC]	L <n> <sup>1</sup> <n> <sup>2</sup>	1BH,4CH		Set double-density half-speed graphics (120 h x 72 v dpi)	51

[ESC]	P <n>	1BH,50H	&%RF {n=1} &%RI {n=2} &%RN {n=0}	Set rotated font. n=0 normal n=1 rotated 90° n=2 rotated 270°	
[ESC]	R	1BH,52H	&%HV	Reset horizontal and vertical tab stops.	24
[ESC]	S <n>	1BH,53H	&%SB {n=1} &%SP {n=0}	Select superscript/subscript. n=0 superscript n=1 subscript	44
[ESC]	T	1BH,54H	&%SE	End superscript/subscript.	45
[ESC]	U <n>	1BH,55H	&%GU {n=1} &%GB {n=0}	Select bidirectional/unidirectional print. n=0 bidirectional n=1 unidirectional	53
[ESC]	V <n>	1BH,56H		Set intercharacter spacing.	39
[ESC]	W <n>	1BH,57H	&%FS {n=0} &%FD {n=1} &%FH {n=3}	Set multiline double-wide double-high sequence. n=0 end all n=1 begin double-wide n=2 double high n=3 both	41
[ESC]	X <n <sub>1</sub> ><n <sub>2</sub> >	1BH,58H		Set left and right margins. n1=left n2=right	
[ESC]	Y <n> <sup>1</sup> <n> <sup>2</sup>	1BH,59H		Set double-density full-speed graphics (120 h x 72 v dpi).	51
[ESC]	Z <n> <sup>1</sup> <n> <sup>2</sup>	1BH,5AH		Set quad-density full-speed graphics (240 h x 72 v dpi).	51
[ESC]	[ @ ...	1BH,5BH, 40H	&%DH &%SH	Set print style. (See command description.)	42
[ESC]	[ P <n>	1BH,5BH, 50H	&%F1-7	Set character pitch.	39
[ESC]	[ T <n>	1BH,5BH, 54H	&%CP<m <sub>1</sub> ><m <sub>2</sub> > <m <sub>3</sub> ><m <sub>4</sub> >	Select character code page.	33
[ESC]	]	1BH,5DH	&%LR	Set reverse line feed.	28
[ESC]	^ <n>	1BH,5EH	&%CC <m <sub>1</sub> ><m <sub>2</sub> ><m <sub>3</sub> >	Print control character.	34
[ESC]	_ <n>	1BH,5FH	&%CO {n=0} &%MO {n=1}	Enable overscore. n=0 end n=1 begin	42
[ESC]	a <n>	1BH,61H	&%JL {n=0} &%JC {n=1} &%JR {n=2}	Set justification. n=0 left n=1 center n=2 right	24

[ESC]	b <n> ... [ETX]	1BH,62H	&%25 {n=0} &%39 {n=1} &%12 {n=2} &%UP {n=3} &%EA {n=4} &%UE {n=5} &%E8 {n=6} &%93 {n=7} &%HB {n=10}	Print bar code. n=0 Interleave 2 of 5 n=1 Code 39 n=2 Code 128 n=3 UPC A n=4 EAN-13 n=5 UPC-E n=6 EAN-8 n=7 Code 93 n=10 Hollerith	54
[ESC]	d <n>	1BH,64H	&%FL<m <sub>1</sub> ><m <sub>2</sub> >	Feed <n> lines at the current spacing.	26
[ESC]	q <n>	1BH,71H		Set query marker.	
[ESC]	r <n>	1BH,72H	&%R0 {n=0} &%R1 {n=1} &%R2 {n=2} &%R3 {n=3} &%R5 {n=5} &%R7 {n=7}	Set rotated print. n=0 end n=1 rotate by 90° n=2 rotate left 180° n=3 rotate by 270° n=5 rotate by 90° with formatting n=7 rotate by 270° with formatting	47
[ESC]	s <n>	1BH,73H	&%RL<m <sub>1</sub> ><m <sub>2</sub> > <m <sub>3</sub> >	Set rotated print line length.	49
[ESC]	u<n <sub>1</sub> > <m <sub>1</sub> > <n <sub>2</sub> > <m <sub>2</sub> >... <n <sub>i</sub> ><m <sub>i</sub> > <0>	1BH,75H		Set rotated print line spacing.	50
[ESC]	v	1BH,76H	&%FC Cut	Activate cutter	64
[ESC]	x <n>	1BH,78H	&%D1 {n=1} &%D2 {n=2}	Open cash drawer. n=1 Cash Drawer 1 n=2 Cash Drawer 2	62
[ESC]	y <n>	1BH,79H	&%Y0-8	Control diagnostics and extended features. (See description.)	64
[ESC]	~ <n>	1BH,7EH		Set extended diagnostics.	74

Table 22 Control Codes Summary by Code

## Control Codes Summary by Function

Normal ASCII	Second ASCII field	Hex Code	IPCL equivalent code	Description	Page
<b>Print/paper motion</b>					
[CR]		0DH	&%CR	Set carriage return.	22
<b>Vertical motion</b>					
[LF]		0AH	&%LF	Set line feed.	22
[VT]		0BH	&%VT	Set vertical tabs.	27
[FF]		0CH	&%FF	Set form feed.	27
[ESC]	0	1BH,30H	&%ST	Set 1/8-inch line space.	25
[ESC]	1	1BH,31H	&%SG	Set 7/72-inch line space.	26
[ESC]	2	1BH,32H		Begin variable line spacing. (Enable [ESC] A n).	26
[ESC]	3 <n>	1BH,33H	&%SV <m <sup>1</sup> ><m <sup>2</sup> ><m <sup>3</sup> >	Set fine line space n/216 inch where n=1..255 defines the feed used by line feed.	25
[ESC]	4	1BH,34H	&%ST	Set top of form.	27
[ESC]	5 <n>	1BH,35H	&%CA {n=0} &%MA {n=1}	Set auto line feed. n=0 end n=1 begin	28
[ESC]	A <n>	1BH,41H		Set variable line spacing n/72 where n=1..85 is enabled by [ESC] 2.	26
[ESC]	B <n> <sup>1</sup> <n> <sup>2</sup> <n> <sup>3</sup> ... <n> <sup>k</sup> <0>	1BH,42H		Set vertical tabs at lines n <sup>1</sup> n <sup>2</sup> ... n <sup>k</sup> 0.	27
[ESC]	C <n>	1BH,43H	&%	Set form length in lines or inches.	28
[ESC]	J <n>	1BH,4AH	&%FM <m <sup>1</sup> ><m <sup>2</sup> ><m <sup>3</sup> >	Do a fine line feed n/216 inch. n=0 no line feed n=1..255	25
[ESC]	R	1BH,52H	&%HV	Reset horizontal and vertical tabs to defaults.	24
[ESC]	]	1BH,5DH	&%LR	Reverse line feed.	28
[ESC]	d <n>	1BH,64H	&%FL <m <sup>1</sup> ><m <sup>2</sup> >	Feed <n> lines at the current spacing.	26
<b>Horizontal motion</b>					
[HT]		09H	&%HT	Set horizontal tabs.	23
[ESC]	D <n> <sup>1</sup> <n> <sup>2</sup> <n> <sup>3</sup> ... <n> <sup>k</sup> <0>	1BH,44H		Set horizontal tabs at columns n <sup>1</sup> n <sup>2</sup> ... n <sup>k</sup> 0. The maximum value of n depends on the station selected.	23
[ESC]	R	1BH,52H	&%HV	Reset horizontal and vertical tabs to defaults.	24
[ESC]	V <n>	1BH,56H		Set intercharacter spacing.	39
[ESC]	X <n <sub>1</sub> ><n <sub>2</sub> >	1BH,58H		Set left and right margins. n <sub>1</sub> =left in characters n <sub>2</sub> =right in characters	

[ESC]	a <n>	1BH,61H	&%JR &%JC &%JL	Set justification. n=0 left n=1 center n=2 right n=4 180° right n=5 180° center n=6 180° left 180° mode not available in IPCL.	24
[ESC]	U <n>	1BH,55H	&%GU {n=1} &%GB {n=0}	Select bidirectional/unidirectional mode. n=0 bidirectional n=1 unidirectional	53
[ESC]	# 0	1BH,23H, 30H	&%QT	Set Normal Print Mode. (HSD is normal.)	29
[ESC]	E	1BH,45H	&%MM	Begin emphasized print (half-speed).	44
[ESC]	F	1BH,46H	&%CM	End emphasized print.	44
[ESC]	G	1BH,47H	&%ME	Begin enhanced print (double pass).	43
[ESC]	H	1BH,48H	&%CE	End enhanced print.	44
[ESC]	I <n>	1BH,49H	&%QT {n=0} &%QU {n=1} &%QS {n=2} &%QL {n=3}	Select print mode. n=0 High Speed Draft n=1 Utility n=2 NLQ Sans-Serif n=3 NLQ Courier	29
[ESC]	[ @ ...	1BH,5BH, 40H		Set print style. (See command description.)	42
<b>International Character Sets</b>					
[ESC]	! <n>	1BH,21H	&%CS<n>	Select International Character Set.	31
[ESC]	[ T <n>	1BH,5BH, 54H	&%CP <m <sup>1</sup> ><m <sup>2</sup> ><m <sup>3</sup> > <m <sup>4</sup> >	Set character set by code page.	33
<b>Custom characters</b>					
[ESC]	\$	1BH,24H		Copy ROM character set to RAM character set.	35
[ESC]	=<n> <sup>1</sup> <n> <sup>2</sup> <start code> <data>	1BH,3DH		Download character font image.	35
[ESC]	> <n>	1BH,3EH		Set custom character. n=0 OFF n=1 ON	35
<b>Character pitch</b>					
[DC2]		12H	&%F3	Set 10 cpi.	38
[ESC]	:	1BH,3AH	&%F2	Set 12 cpi.	38
[SI]		0FH	&%F1	Set 17 cpi.	38
[ESC]	[SI]	1BH, 0FH	&%F4	Set 24 cpi.	38
[ESC]	[ P <n>	1BH,5BH, 50H	&%F1-7	Set character pitch.	39
<b>Character attributes</b>					
[SO]4		0EH	&%MW	Set one-line double-wide mode.	40

[DC4]		14H	&%MN	Cancel one-line double-wide mode.	40
[ESC]	> <n>	1BH,3EH		Set custom character. n=0 OFF n=1 ON	35
[ESC]	% G	1BH,25H, 47H	&%MI	Begin italics.	45
[ESC]	% H	1BH,25H, 48H	&%CI	End italics.	45
[ESC]	- <n>	1BH,2DH	&%CU {n=0} &%MU {n=1}	Set underline. n=0 end n=1 begin	42
[ESC]	S <n>	1BH,53H	&%SB {n=1} &%SP {n=0}	Select superscript/subscript. n=0 superscript n=1 subscript	44
[ESC]	T	1BH,54H	&%SE	End superscript/subscript.	45
[ESC]	W <n>	1BH,57H	&%FS {n=0} &%FD {n=1} &%FH {n=3}	Set multiline double-wide double-high sequence. n=0 end all n=1 double-wide n=2 double-high n=3 both	41
[ESC]	_ <n>	1BH,5FH	&%CO {n=0} &%MO {n=1}	Set overscore. n=0 end n=1 begin	42
<b>Rotated print</b>					
[ESC]	P <n>	1BH,50H	&%RF {n=1} &%RI {n=2} &%RN {n=0}	Rotate font. n=0 normal n=1 rotated 90° n=2 rotated 270°	30
[ESC]	r <n>	1BH,72H	&%R0 {n=0} &%R1 {n=1} &%R2 {n=2} &%R3 {n=3}	Rotate print. n=0 end n=1 rotate by 90° n=2 rotate left 180° n=3 rotate by 270°	47
[ESC]	s <n>	1BH,73H	&%RL <m <sup>1</sup> ><m <sup>2</sup> ><m <sup>3</sup> >	Set rotated print line length. n=1..128 (Default 80)	49
[ESC]	u <n> <sup>1</sup> <m> <sup>1</sup> <n> <sup>2</sup> <m> <sup>2</sup> ... <n> <sup>k</sup> <0>	1BH,75H	&%RS	Set rotated print line spacing. nk=0 End where n=line and m=dots from last line. Note: All lines not specified are set to 1 dot.	50
<b>Graphics</b>					
[ESC]	* <m> <n> <sup>1</sup> <n> <sup>2</sup>	1BH,2AH		Print Epson 9-pin graphics in mode <m>.	52
[ESC]	? <m><n>	1BH,3FH		Reassign graphic mode.	52

[ESC]	K <n> <sup>1</sup> <n> <sup>2</sup>	1BH,4BH		Set single-density graphics. n <sup>1</sup> =0..255 n <sup>2</sup> =0..3 len=n1 +256*n2	51
[ESC]	L <n> <sup>1</sup> <n> <sup>2</sup>	1BH,4CH		Set double-density half-speed graphics. n <sup>1</sup> =0..255 n <sup>2</sup> =0..3 len=n1 + 256*n2	51
[ESC]	Y <n> <sup>1</sup> <n> <sup>2</sup>	1BH,59H		Set double-density full-speed graphics. n <sup>1</sup> =0..255 n <sup>2</sup> =0..3 len=n1 +256 * n2	51
[ESC]	Z <n> <sup>1</sup> <n> <sup>2</sup>	1BH,5AH		Set quad-density full-speed graphics. n <sup>1</sup> =0..255 n <sup>2</sup> =0..3 len=n1 +256 * n2	51
[ESC]	U <n>	1BH,55H	&%GU {n=1} &%GB {n=0}	Select bidirectional/unidirectional mode. n=0 bidirectional n=1 unidirectional	53



Bar codes					
[ESC]	b <n> ... [ETX]	1BH,62H	&%25 {n=0} &%39 {n=1} &%12 {n=2} &%UP {n=3} &%EA {n=4} &%EA {n=5} &%EA {n=6} &%93 {n=7} &%HB {n=10}	Print bar codes. n=0 Interleave 2 of 5 n=1 Code 39 n=2 Code 128 n=3 UPC A n=4 EAN-13 n=5 UPC E n=6 EAN-8 n=7 Code 93 n=10 Hollerith	54
[ESC]	[EM] B <n>	1BH,19H, 42H	&%BH <m <sup>1</sup> >	Set bar code height. n=0 restore defaults n=1-9 number of passes (0.11" per pass)	57
[ESC]	[EM] J <n>	1BH,19H, 4AH	&%BJ <m <sup>1</sup> ><m <sup>2</sup> >	Set bar code justification.	57
Validation control					
[ESC]	[DC1]	1BH,11H	&%VO	Open for validation.	59
[ESC]	[DC3]	1BH,13H	&%VC	Close for validation.	59
[ESC]	[DC4]	1BH,14H	&%VS	Select validation mode with auto form sense.	59
[ESC]	[EM] C <n>	1BH,19H, 43H	&%ZC <m <sup>1</sup> ><m <sup>2</sup> >	Set validation clamp delay.	60
[ESC]	[EM] V <n>	1BH,19H, 56H	&%ZV <m <sup>1</sup> ><m <sup>2</sup> >	Set validation time-out.	60
Miscellaneous					
[ENQ]	<n>	05H		Set inquire status. (Refer to command descriptions.)	67
[CAN]		18H	&%RP	Clear print buffer.	62
[ESC]	8	1BH,38H	&%PF	Disable paper error sensing.	58
[ESC]	9	1BH,39H	&%PO	Enable paper error sensing.	58
[ESC]	<	1BH,3CH	&%PT	Set print suppress and pass through.	63
[ESC]	q<n>	1BH,71H	None	Set query marker.	63
[ESC]	v	1BH,76H	&%FC Cut	Activate cutter.	64
[ESC]	w <n>	1BH,77H	None	Enable dynamic response.	<b>Error! Book mark not define d.</b>
[ESC]	x <n>	1BH,78H	&%D1 {n=1} &%D2 {n=2}	Open cash drawer. n=1 n=2	62
Diagnostics					
[ESC]	y <n>	1BH,79H	&%Y0 - 7	Control diagnostics and extended features. (See descriptions on page 64.)	64
[ESC]	~ <n>	1BH,7EH		Set diagnostics commands enabled by [ESC]y<8>. (See command description for <n>.)	74

Table 23 Control Codes Summary by Function

## Chapter 6:

# Operator Panel Controls

### Push Buttons - Momentary Switches

The FEED key advances the receipt and journal paper.

The RELEASE key opens and closes the validation clamp. It cycles through open and close mode.

The RESUME key restarts the printer after a failure has been cleared.

### Indicators

There are three indicators. They are READY, ALARM, and POWER.

The printer can be in any of the following states.

State	Ready (Green Indicator)	Alarm (Red Indicator)	Power (Green Indicator)
<b>Ready</b> (The printer is ready to receive data and print.)	On	Off	On
<b>Not ready</b>	Off	Off	On
<b>Off-line</b> (Ready but waiting for a form)	Flash	Off	On
<b>Out of paper</b>	Off	On	On
<b>Menu mode</b>	Flash	Off	Flash
<b>Test mode</b>	Flash	Off	On
<b>Printer fault</b>	Off	Flash	On
<b>Printer failure</b>	Off	Off	Off
<b>Watchdog fault</b> (The printer resets.)			

Table 24 Printer State: Error indicator lights

---

## Fault Indicators

If the printer indicates printer fault, the error is not recoverable. The printer must be restarted and may lose information. To aid in printer troubleshooting, the RESUME key will activate an extended diagnostic indication. This will blink the status indicator a number of times. The number of blinks indicates the fault. The fault list follows.

### Faults while in operation:

- 
- 1 Motor move time-out

---

  - 2 Motor move retry fault

---

  - 3 Motor move fault (moved in wrong direction)

---

  - 4 Space motor locked

---

  - 5 Motor homing fault

---

  - 6 Motor acceleration fault

---

  - 7 Printing fault

---

  - 8 Fault while centering

---

  - 9 Forms compensation fault

---

### Faults during Level 0 diagnostics:

- 
- 10 ROM check-sum failure

---

  - 11 RAM failure

---

  - 12 Configuration EEPROM failure

---

  - 13 Processor test fault

---

  - 14 EEPROM check-sum failure

---

### Faults that can happen at anytime:

- 
- 15 Firmware control fault (loss of program control)

---

  - 16 Cutter option fault

---

After the fault code is displayed, the printer can be restarted by pressing the RESUME and RELEASE keys simultaneously. If the EEPROM check-sum fault occurs (Fault Code 14), the EEPROM can be set to default by pressing the RESUME and LF keys simultaneously. The printer will be functional but must be reconfigured. This procedure is only to allow reconfiguration and not to recover printer function in the field.

If the indication is printer failure, the printer controller is not running and is being held in reset. If this failure occurs, the printer is not functional and should be serviced.

If the printer appears to go through a power cycle by itself, the hardware watchdog has detected a fault. This fault is generally a hardware failure or an external interference. If the fault is hardware, the printer will continue to cycle through its diagnostics and then reset. If this happens, the printer must be serviced. If the fault is caused by external interference like electrostatic discharge (ESD), the printer will generally recover by itself. (Note: The parallel port INIT pin causes a soft reset.)

## Chapter 7:

### Product Self-tests

The Series 150 Printer contains several levels of self-test features. At power on, the printer always runs Level 0 diagnostics which check the printer's operation. After Level 0 diagnostics, the printer checks the keypad and enters normal operation or extended tests.

#### Level 0 Diagnostics

Level 0 diagnostics always run at power up. They perform the following tasks.

Test	Ready (Green Indicator)	Alarm (Red Indicator)	Power (Green Indicator)
Reset	On	On	On
CPU/ROM Test	Off	Off	On
External RAM Test	On	Off	On

Table 25 Startup Diagnostics (Level zero)

#### Extended Diagnostics

Extended diagnostics are entered after Level 0 diagnostics and allow one of four modes to be entered. The four modes are self-test, hex-dump, configuration, and remote configuration. In self-test mode, the various modes of the printer can be tested. Hex-dump mode causes the printer to print the hex value of any print information sent. Configuration mode allows various configuration parameters to be adjusted, and remote configuration mode allows CFG150 to configure the printer.

#### Self test

Self test is entered by pressing and holding the RESUME key at power up. (As soon as the printer starts to print, the key should be released). The printer will print the software revision information and instructions for using this mode. The FEED key will feed paper. The RELEASE key will select a test, and the RESUME key will start the test. There are currently six tests in the test suite. The tests are described below.

<b>Receipt Test</b>	Prints a sample receipt.
<b>Validation Test</b>	Performs a sample validation.
<b>Self Test</b>	Provides a test of a number of the printer's print capabilities.
<b>Mechanical Test</b>	Allows the forms compensation mechanism to be tested.
<b>Rolling ASCII</b>	Allows continuous print on the printer. (It tests reliability and ribbon life).
<b>Burn-In</b>	Used as part of the production process to assure that the printer functions correctly and to provide an initial burn in.

---

## Chapter 8:

# Hex-dump Mode

Hex-dump mode is entered by pressing and holding the RESUME and RELEASE keys at power up. This mode is used to diagnose communication problems with the printer. As information is received by the printer, the information is converted to a HEX/ASCII format and printed. No translation is made which means that no commands are interpreted. All information is converted to HEX/ASCII and printed on the receipt tape. If a carriage return is sent to the printer, it will be translated to 0D in the HEX field and "." in the ASCII field.

The format is as follows:

```
54 68 69 73 20 69 73 20 This is
61 20 74 65 73 74 0D 0A a test..
```

There are several indications of printer and host communication problems that can be deduced from this test. If the printer is printing all 40 "@" symbols, the parity or the number of bits is wrong. If the printer is printing some Hex 40 "@" symbols when it should be printing other characters, either the parity, baud rate, or the bit length setting is wrong. If the printer prints incorrect characters (like Hex C1 instead of Hex 41 "A"), it is set for 8-bit data, and the host is set for 7-bit. In most cases, the print problem can be traced to the host and printer not being configured in the same way.

## Chapter 9:

# Configuration Mode

### Initial Power ON

The initial power cycle of a Series 150 diagnostic will find that the EEPROM is not valid. Remaining in Level 0 diagnostics for about ten seconds will indicate this. During this time, the EEPROM is initialized and a default configuration loaded. The default will allow manual or remote configuration. It is unlikely to be the desired configuration.

### Manual Configuration<sup>13</sup>

This mode is entered by pressing and holding the FEED and RESUME keys at power up. (As soon as the printer starts to print, the keys should be released). The printer will print the software revision information and instructions for using manual configuration.

- 
- The RESUME key will select the next group

---

  - The RELEASE key will select the next item

---

  - The RELEASE and RESUME keys together will select the next option

---

  - The RESUME and FEED keys together will print a list of all the settings

---

  - The FEED key will feed paper

---

Once in configuration mode, the item to be changed should be selected with the RELEASE and RESUME keys. The item is changed when the RESUME and RELEASE keys are pressed together. It should be noted that in test mode keys operate when released and not when they are pressed. This allows for multiple key depressions to be recognized. When the proper configuration is selected, it should be verified by printing

---

<sup>13</sup> Manual configuration may be locked by remote configuration. If this is the case, the only way to alter the configuration is by remote CFG150 configuration.

the complete configuration. The save configuration option should then be changed from “No” to “Yes.” The next group selected will save the configuration and enter normal operation.

### **Enable Remote Configuration**

Remote configuration mode allows a remote host to set up, display configuration information, and test a Series 150 Printer. This mode is designed to be operated by the CFG150 program running on a personal computer. To enable remote configuration, connect a personal computer through the serial or parallel port on the Series 150 Printer. Load the configuration program into the personal computer, and enter configuration mode. Power on the printer, and hold the FEED and RELEASE keys down. After Level 0 diagnostics, the printer will enter CFG150 Mode. Refer to the CFG90/150 User's Guide (PN 100-01082) for more information.

# Feature Configuration

The Series 150 Printer has many configurable features. The following section discusses these features and the possible configurations. An operator can configure most of the features by manipulating the key panel in configuration mode. This method is termed manual configuration. Features can be configured by the CFG150 program. This program runs on most standard personal computers. Refer to the CFG90/150 User's Guide (PN 100-01082) for a description on how CFG operates. This section lists the configurations that can be set by CFG150. Configuration features are grouped into six categories. Each category has several features, and each feature has one or more selections. The following table lists all the groups, features, and selections. The default factory settings are indicated with an "\*"14 which may not be the same as initial power up configuration.

General		Recommendation
Emulation Mode	The Series 150 Printer supports several emulation modes, Normal (IBM), EPOS (Epson), MICROLINE (Okidata), Star (Star), NCR2567 (NCR), or Telpar.	
	Normal	■
	EPOS	
	MICROLINE	
	Star	
	NCR2567	
	Telpar	
Configuration	The Series 150 Printer supports several emulations and custom configurations. These options are support those special modes.	
	Normal	■
	Option 1 <i>Epson Emulation:</i> [ESC] 3 <n> sets line spacing. Default resolution is n/144. With this option, resolution is n/360. <i>Epson Emulation:</i> [ESC] ! <n> sets print mode. Default is normally 17 characters per inch (cpi). With this option, the cpi is 20. <i>Microline Emulation:</i> [CAN] will return the printer to default. <i>NCR2567 Emulation:</i> sets the printer to six-line validation.	
	Option 2 <i>Microline Emulation:</i> enables [SOH] [DC1] (select code) and [SOH] [DC3] (deselect code). <i>NCR2567 Emulation:</i> allows the printer to select extended IBM Code.	
	Option 3	
	Option 4 <i>Microline Emulation:</i> enables [SOH] [DC3] (select code) and [SOH] [DC1] (deselect code).	
	Option 5 <i>Microline Emulation:</i> the 12 cpi command changes to 24 cpi.	
	Option 6	
	Option 7	
Graphics	The default print mode for graphics can be set to bidirectional for fastest print or unidirectional for the best print quality.	
	Bidirectional	■
	Unidirectional	

14 The factory defaults can be altered by customer order.

General		Recommendation
Receive Buffer	The input receive buffer can be configured to various sizes. The optimal size is dependent on the application. The options are from 256 to 6144 bytes. To provide tight control of the printer, one-line mode is also available. In one-line mode, the printer goes busy after each [CR] and stays busy until the buffer is empty.	
	256 bytes	
	1024 bytes	
	2048 bytes	
	3072 bytes	
	4096 bytes	
	5120 bytes	
	6144 bytes	■
1-line mode		
Print Alignment	The line to line print registration of the printer is adjustable. This registration is important in graphics and rotated print and is set at the factory. However, if the printer has been serviced, this value may need to be adjusted. The adjustment can be from -5 to +5. To aid in setting this adjustment, the printer will print an alignment chart along with the adjustment.	
	Adjust from 0 to 9	3
Impact Energy	To allow the printer to print better on multi-part forms, the impact energy supplied to the print head can be increased. In high impact mode, the print speed is decreased by about 15 percent. The high impact is only effective in validation mode.	
	Normal	■
	Heavy validation	
Form Sense Wait	The amount of time the printer waits after a form is sensed and before action is taken is adjustable. This is the form sense wait time.	
	It can be adjusted from 0 to 750 milliseconds.	250 ms
Validation Time-out	The printer can be configured to return to receipt mode after a slip or validation command is issued. The time-out is adjustable from off (waits forever) to 15 minutes. The slip and validation modes can be individually configured.	
	Off	■
	1 to 15 minutes	
Cash Drawer Time	The amount of time the cash drawer is energized is adjustable from 25 to 250 milliseconds. The value will be dependent on the cash drawer being used; however, 150 ms works with most drawers.	
	25 to 250 milliseconds (50 millisecond resolution)	150 ms
Reset Inhibit	The reset command can be prevented from being acted on. If Reset Inhibit is set to on, the command will have no effect. (This does not effect the parallel port INIT signal.)	
	Off	■
	On	
Print Suppress and Pass through	The print suppress feature can be off, on, or pass (pass through). This feature will determine the operation of the print suppress command. If print suppress is set to off, the command will be ignored. If on, the command will be active. If pass is selected, the command and data pass through will be active.	
	Off	■
	Suppress	
	Pass through	



General		Recommendation
10 cpi	The 10 cpi command can be prevented from being acted on. If set to disable, the printer will ignore the 10 cpi command (DC2).	
	Active	■
	Disabled	
Print Illegal Commands		
	No	■
	Yes	
Print Zone	There are two print zone settings.	
	Normal (2.40 inch)	■
	Wide (2.83 inch)	
Series 50 Compatibility	The Ithaca Series 50 Printer uses commands that are not supported by the Series 150 Printer. In some cases, these commands have different functions in the Series 150 Printer. If this option is set, the Series 50 commands are overlap the Series 150 commands deactivated.	
	Off	■
	On	
Vertical Control		
Line Spacing	The line spacing can be defaulted to 6 or 8 lpi.	
	6 lpi	
	8 lpi	■
Auto Line Feed	An auto line feed feature can be set as a default where all [CR]'s will have a [LF] added. If auto line feed is set to on, this feature is activated.	
	Off	■
	On	
Auto Carriage Return	An auto carriage return can be set as a default where all [LF]'s will have a [CR] added. If auto carriage return is on, this feature is activated.	
	Off	■
	On	
Form Length	The default form length can be set from 3 to 17 inches. This configuration affects how the [FF] command operates.	
	3 to 17 inches	11
Line Feeds/Cut	The number of line feeds before a cut is performed can be 0 to 15 lines.	
	0 to 15 lines	0
Character		
Print Mode	The default print mode can be set to Draft, Utility, NLQ Courier, or NLQ Sans Serif. In most cases, Draft or Utility mode will be the default selections.	
	Draft	■
	Utility	
	NLQ Courier	
	NLQ Sans Serif	
Character Pitch	The default print pitch can be set to 8, 10, 12, 15, 17.1, 20, or 24 characters per inch.	
	8 cpi	
	10 cpi	
	12 cpi	
	15 cpi	
	17.1 cpi	■
	20 cpi	

	24 cpi	
--	--------	--

General		Recommendation
Font	The Series 150 Printer supports 66 Language Sets. This setting defines only the default printer mode. Any set can be selected through software.	
Language Set	IBM specifies code pages differently than Epson. This is the IBM description	
	IBM Code Page Translation Table	■
	437 – USA	
	850 – Multilingual	
	865 – Norway	
	860 – Portugal	
	863 – Canada French	
	852 – East Europe Latin II	
	1018 – ECMA-94	
	1028 – Roman-8	
	861 – Icelandic-861	
	774 – Baltic_774	
	1026 – ISO Latin 4 (8859/4)	
	1029 – ISO Latin 6 (8859/10)	
	1034 – Windows Baltic	
	1035 – Cyrillic-Latvian	
	1033 – KBL-Lithuanian	
	1012 – Turkey	
	1021 – Latin 5 (Windows Turkey)	
	857 – Turkey_857	
	1008 – Greek_437	
	1009 – Greek_928	
	869 – Greek_869	
	1020 – Windows Greek	
	1011 – Greek_437 CYPRUS	
	862 – Hebrew NC (862)	
	1030 – Hebrew NC (862)	
	1031 – Hebrew OC	
	1032 – Windows Hebrew	
	1015 – ISO Latin 2	
	1019 – Windows East Europe	
	1014 – Polska Mazovia	
	895 – Kamenicky (MJK)	
	1024 – Hungarian CWI	
	1016 – Serbo Croatic I	
	1017 – Serbo Croatic II	
1027 – Ukrainian		
1072 – Bulgarian		
1022 – Windows Cyrillic		
855 – Cyrillic I – 855		
866 – Cyrillic II – 866		
1013 – Cyrillic II – 866		

---

65 – ASCII (Unslashed 0)	
67 – German	
66 – British	
69 – Swedish I	

General		Recommendation
	74 – French Canadian	
	72 – Dutch	
	76 – Swedish II	
	77 – Swedish III	
	78 – Swedish IV	
	79 – Turkish	
	80 – Swiss I	
	81 – Swiss II	
	90 – Publisher	
	91 – Welsh	
	68 – French	
	70 – Danish	
	71 – Norwegian	
	64 – ASCII (Slashed 0)	
	73 – Italian	
	75 – Spanish	
	91 – Welsh	
EPOS Mode Code Page	Epson specifies code pages differently than IBM. This is the Epson description.	
	0 – USA	■
	26 – Multilingual	
	27 – Norway	
	28 – Portugal	
	43 – Canada French	
	46 – East Europe Latin II-852	
	42 – ECMA-94	
	58 – Roman-8	
	73 – Icelandic-861	
	74 – Baltic_774	
	56 – ISO Latin 4(8859/4)	
	67 – ISO Latin 6 (8859/10)	
	68 – Windows Baltic	
	69 – Cyrillic-Latvian	
	63 – KBL-Lithuanian	
	29 – Turkey	
	51 – Latin 5 (Windows Turkey)	
	57 – Turkey_857	
	38 – Greek_437	
	39 – Greek_928	
	47 – Greek_869	
	50 – Windows Greek	
	41 – Greek_437 CYPRUS	
	60 – Hebrew NC (862)	
	61 – Hebrew OC	
	62 – Windows Hebrew	
	23 – ISO Latin 2	

General		Recommendation
	49 – Windows East Europe	
	22 – Polska Mazovia	
	55 – Kamenicky (MJK)	
	54 – Hungarian CWI	
	24 – Serbo Croatic I	
	25 – Serbo Croatic II	
	66 – Ukrainian	
	72 – Bulgarian	
	52 – Windows Cyrillic	
	44 – Cyrillic I-855	
	21 – Cyrillic II-866	
	45 – Cyrillic II-866	
	1 – French	
	2 – German	
	3 – British	
	4 – Danish I	
	5 – Swedish I	
	6 – Italian	
	7 – Spanish I	
	8 – Japanese	
	9 – Norwegian	
	10 – Danish II	
	11 – Spanish II	
	12 – Latin American	
	13 – French Canadian	
	14 – Dutch	
	15 – Swedish II	
	16 – Swedish III	
	17 – Swedish IV	
	18 – Turkish	
	19 – Swiss I	
	20 – Swiss II	
	64 – Publisher	
Zero Character	The zero character can be configured to be unslashed or slashed in all character sets except IBM 64 and 65 which override this setting.	
	Unslashed	
	Slashed	■
Interface	The Series 150 Printer supports either a serial or parallel communication link.	
Parallel Mode	This setting should not be changed except from parallel to IEEE 1284.	
	Parallel	
	IEEE 1284	

General		Recommendation
Parallel Link Options	The parallel option features define how the strobe, busy, and acknowledge signals operate. In normal mode, the printer follows the standard (Centronics) parallel port conventions. With Options 1 and 3, the acknowledge and busy signals change at the same time. This is sometimes referred to as Ack-after-Busy. Options 2 and 3 force busy high on the rising edge of strobe. This is sometimes referred to as Busy-while-Strobe timing. In all cases, the data is latched on the rising edge of the strobe. In most cases, the normal timing mode will give the best and most universal results.	
	Normal Ack-while-Busy	■
	Option 1 Ack-after-Busy	
	Option 2 Ack-while-Busy	
	Option 3 Ack-after-Busy	
Parity	The serial mode parity can be set to none, odd, or even.	
	None	■
	Odd	
Bit Data	Even	
	The serial bit format can be set to 8 or 7.	
	8	■
Protocol	7	
	The flow control protocol/serial link can be set to Ready/Busy or XON/XOFF. If XON/XOFF is selected, Ready/Busy also functions.	
	Ready/Busy	■
Baud Rate	XON/XOFF	
	The bit rate of the printer can be set to 19200, 9600, 4800, 2400, 1200, 600, or 300 bits per second. The same bit rate is for send and receive.	
	19200 bits per second	
	9600 bits per second	■
	4800 bits per second	
	2400 bits per second	
	1200 bits per second	
	600 bits per second	
300 bits per second		
SSD Signal	The serial port SSD signal can be configured to provide flow control. If SSD is active, it will toggle to false when the buffer is full. Note: SSD flow control is only available on the optional 25-pin serial interface.	
	Not used	■
DTR/RTS Signal	Active	
	The serial port DTR and/or RTS signal can be configured to provide flow control. If DTR is configured as the flow control signal, it will toggle to false when the buffer is full, RTS will not.	
	Not used	
	DTR flow	
	RTS flow	
CTS Signal	RTS and DTR flow	■
	If active, a false CTS will prevent the printer from sending any data to the host.	
	Not used	■
	Active	

Options		
DSR Signal	If active, a false DSR signal will prevent the printer from accepting any data.	
	Not used	■
	Active	
Off-line	The printer can be set to active (normal operation) or buffer full only mode. In active mode, the printer goes off-line when it runs out of paper. In buffer full only mode, the printer only goes off-line if a fault is detected, and the buffer full operates normally.	
	Active	■
	Buffer full only	
Microsoft Windows Plug and Play	This option allows Windows to query the printer as to its identity. The printer supports this in parallel and serial mode. This option presets several of the link modes. Serial mode          RTS flow control Parallel mode        IEEE 1284	
	Off	■
	On	
Multidrop	If set to an address, the multidrop feature will be activated at power up.	
	Off	■
	A device	
	B device	
	C device	
Knife	This specifies that the knife is attached.	
	Not present	
	Enabled	
Validation	This specifies that the unit has validation.	
	Not present	
	Enabled	
General		Recommendation
Journal	This specifies that the unit has journal take-up.	
	Not present	
	Enabled	
Save Changes	This is set only in self-configuration mode to force the printer to save changes. If this is not set to yes, any changes made to the configuration will not be saved.	
	Yes or No	

Table 26 Configurable features





## General Control

The Series 150 Printer supports several printer emulation modes, Normal (IBM), EPOS (Epson), MICROLINE (OKIDATA), Star (Star), NCR2567 (NCR), and Telpar.

The default print mode for graphics can be set to bidirectional for fastest print or unidirectional for the best print quality. The input receive buffer can be configured to various sizes. The optimal size is dependent on the application. The options are from 256 to 6144 bytes. To provide tight control of the printer, a one-line mode is also available where the printer goes busy after each [CR] and stays busy until the buffer is empty. The line to line print registration of the printer is adjustable. This registration is important in graphics and rotated print and is set at the factory. However, if the printer has been serviced this value may need to be adjusted. The adjustment can range from zero to nine. To aid in setting this adjustment, the printer will print an alignment chart.

To allow the printer to print better on multipart forms, the impact energy supplied to the print head can be increased. In high impact mode, the print speed is decreased by about 15 percent. High impact is only effective in validation mode. The amount of time the printer waits after a form is sensed and before action is taken is adjustable. This is the form sense wait time. It can be adjusted from zero to 750 milliseconds. The default is 250 milliseconds. The printer can be configured to return to receipt mode after a validation command is issued. The time-out is adjustable from off (waits forever) to 15 minutes.

The amount of time the cash drawer is energized is adjustable from 25 to 250 milliseconds. This value will be dependent on the cash drawer being used; however, 150 milliseconds works with most drawers. The reset command (EPOS mode only) can be prevented from being acted on. If reset inhibit is set to on, the command will have no affect. (This does not affect the parallel port INIT signal). The print suppress feature can be off, on, or pass (pass through). This will determine the operation of the print suppress command. If print suppress is set to off, the command will be ignored. If on, the command will be active. If pass is selected, the command and data pass through will be active.

**Vertical Control**

The line spacing can be defaulted to six or eight lines per inch (lpi).

An auto line feed feature can be set as a default where all [CR]'s will have a [LF] added. If auto line feed is set to on, this feature is activated. An auto line feed feature can be set as a default where all [LF]'s will have a [CR] added. If auto CR is set to on, this feature is activated. The default form length can be set from 3 to 17 inches. This configuration affects how the [FF] command operates.

**Character**

The default print mode can be set to Draft, Utility, NLQ Courier, or NLQ Sans Serif. In most cases, Draft or Utility mode will be the default selections. The default print pitch can be set to 8, 10, 12, 15, 17.1, 20, or 24 characters per inch.

**Interface**

The Series 150 Printer has either a serial or parallel communications link. In the parallel configuration, you can enable it as IEEE 1284, which allows a bidirectional mode. The parallel option features define how the strobe, busy, and acknowledge signals operate. In normal mode, the printer follows the standard (Centronics) parallel port conventions. With Options 1 and 3, the acknowledge and busy signals change simultaneously. This is sometimes referred to as Ack-after-Busy. Options 2 and 3 force busy high on the rising edge of strobe. This is sometimes referred to Busy-while-Strobe timing. In all cases, the data is latched on the rising edge of strobe. In most cases, the normal timing mode will give the best and most universal results.

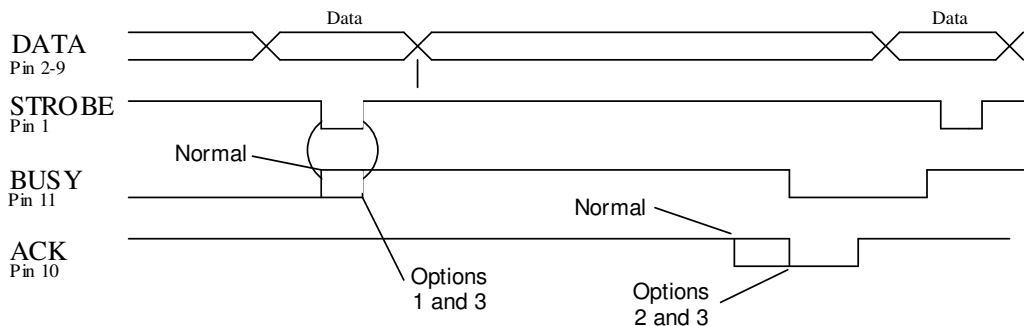


Figure 12 Parallel link options

The serial mode parity can be set to none, odd, or even. The serial bit format can be set to eight or seven. The flow control protocol/serial link can be set to Ready/Busy or XON/XOFF. If XON/XOFF is selected, Ready/Busy also functions. The bit rate of the printer can be set to 19200, 9600, 4800, 2400, 1200, 600, or 300 bits per second. The same bit rate is for both send and receive. The serial port DTR and/or RTS signal can be configured to provide flow control. If DTR is configured as the flow control signal, it will toggle to false when the buffer is full, RTS will not.

**Options**

The knife is an optional feature on the Series 150 Printer. If the hardware is installed, the corresponding feature should be activated.

**Save Changes**

In self-configuration, the save changes must be set to "Yes" for any configuration changes to be accepted. The next group selection will then save the changes and start normal operation.

# Chapter 10: Communications Protocol and Print Buffers

## Overview

The following figure illustrates the communication flow from the host computer to the printer and from the printer to the cash drawer.

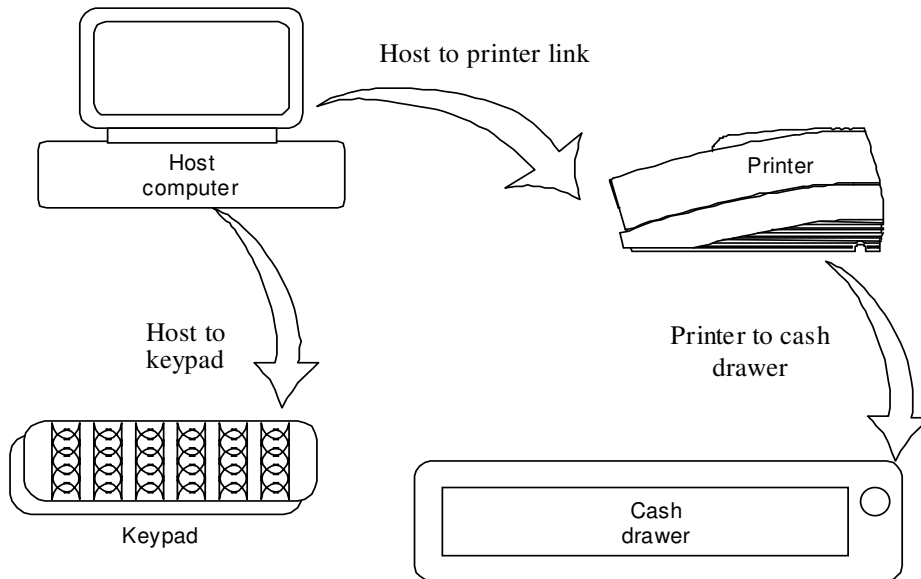


Figure 13 Typical POS system

For the host to printer communication link, the Series 150 Printer supports serial or parallel communications. The serial and parallel port both follow standards developed for the personal computer environment.

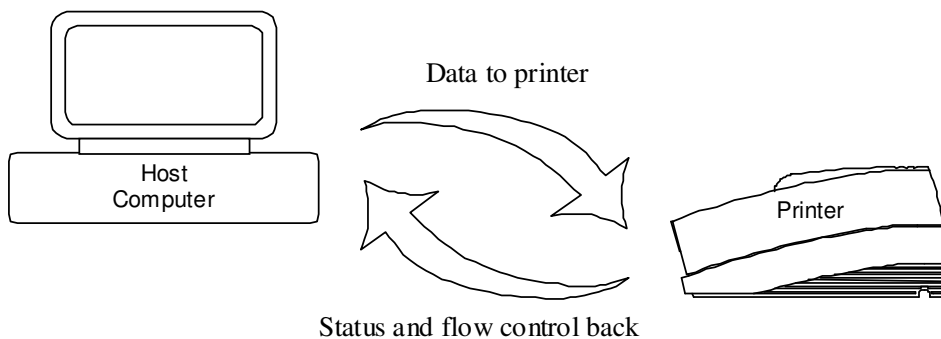


Figure 14 Host to printer link

In most cases, the host computer is capable of sending information to the printer much faster than the printer can print it. To prevent information from being lost, a flow control mechanism is provided. This mechanism is called the flow control protocol. The goal of the flow control protocol is to exchange as much information as possible as fast as possible without losing any data. The Series 150 Printer supports three flow control protocols, two in serial mode and one in parallel.

From the printer's viewpoint, four basic functions are required of communications. All four are common to all three flow control protocols. There must be a communication driver, status inquire procedure, storage buffer, and print control mechanism that is using the data.

1. The communication port is either the serial port hardware or the parallel port hardware and the associated communication software driver.
2. A means for the host to bypass the buffer for status information is also required because the buffer offsets the printer in time from the host. (The printer is generally behind the host).
3. The storage print buffer is a software implemented, first-in/first-out (FIFO) circular buffer. It stores information in an asynchronous fashion where information can be placed in it at any rate and retrieved from it at any rate. However, the information order is not altered. Any buffer has a finite size, and if information is put in faster than it is removed, it will overflow. To avoid overflow, a flow control mechanism is required.
4. The print control mechanism is the remainder of the printer hardware and control software. It interprets control codes and operates the control panel, print head, and cash drawer interface.
5. The following figure illustrates the four basic parts of printer flow control.

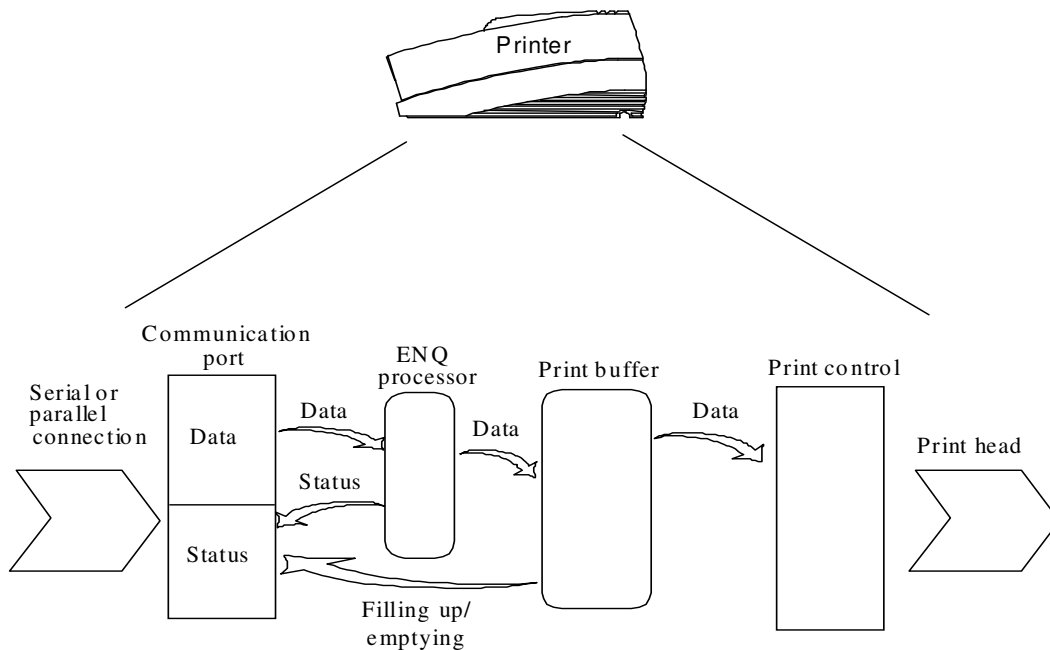


Figure 15 Printer communications buffer flow

The communication port is either serial or parallel and is controlled by a software communication driver. This driver receives data and returns requested status. As information is received from the host, data is taken from the communication port hardware by the driver, preprocessed to look for status inquire commands, and placed in the buffer. When the buffer input function finds that the buffer is filling up, it notifies the communication driver to implement flow control. Flow control will attempt to stop further information from being sent by the host.

The print control software takes information from the buffer (as it needs it and can use it). When the buffer output function finds that the buffer is getting low, it notifies the communication driver that the information flow can be resumed (if it was stopped) and allows more information to be placed in the buffer.

The Series 150 Printer has a configurable input buffer. The printer can be configured to allow from 256 to 6144 bytes of input buffer. This means that up to 6144 characters (or control codes) can be sent to the printer before they are interpreted and printed. In effect, the host computer can get 6144 characters ahead of the printer. In all cases, the buffer will resume communications when it is half empty. For example, if the buffer is configured to be 2K, the printer will signal stop when 2048 bytes are in the buffer. Resume will be signaled when 1024 bytes remain.

Inquire (ENQ) commands are preprocessed, which means they are found in the input data stream and acted upon immediately as they are received. Therefore, the status returned is valid as of the time the command is received. This is termed real-time status even though inquire commands are preprocessed and still placed in the buffer. Real-time status assures that data is not lost when the inquire sequence is part of another command. However, this also means that the buffer may be filled by inquire commands, if the printer is waiting for some activity.

# Parallel Port

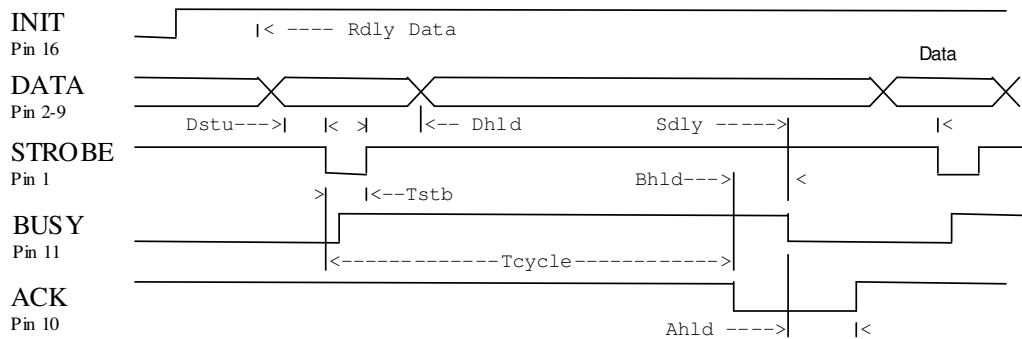
## Parallel Port Protocol

The Series 150 parallel port behaves just like any printer connected to a personal computer. The parallel interface accepts eight bits of data from the host. The strobe signal from the host is used to indicate that data is available. When the printer sees the strobe and accepts the data, it asserts a busy signal. The busy signal indicates to the host that the printer has accepted the data and is busy working. When the printer has been able to absorb the data and is ready to accept another byte, the printer asserts an acknowledge signal, negates busy, and finally negates acknowledge.

The following parallel port specifications and timing should be met by the host computer. In standard personal computers, the strobe signal is generated by software writes to the parallel port control port. This is typically done in the BIOS or in some parallel port driver. As personal computers become faster, it is up to the software to assure that the strobe signal does not get too narrow. One microsecond is about the minimum pulse width that should be sent down a cable. Shorter pulse widths (500 nanoseconds) will be accepted by the printer; however, the cable can introduce significant signal degeneration and skew.

It is important that the data be valid before the strobe signal is asserted and remain valid until after the strobe is removed. A 500 nanosecond setup and hold time is required by the printer.

The following chart illustrates this sequence:



- |                        |                           |
|------------------------|---------------------------|
| Rdly approximately 2 s | Bhd approximately 5 us    |
| Dst 500 ns (min)       | Ahld approximately 5 us   |
| Dhld 500 ns (min)      | Sdly 3 us (min)           |
| Tstb 1 us (min)        | Tcycle 200 - 280 us (typ) |

Figure 16 Parallel port data timing

To implement flow control, the busy signal is asserted by the printer outside the normal data transfer sequence. The busy signal has several uses, but it always indicates that the printer cannot accept information. The busy signal may happen at any time and may not adhere to the above timing chart in all cases. It is up to the host's parallel port driver to handle all possible busy states. It is important that the host driver does not hang-up if it takes time for an acknowledge response to a strobe signal. The standard personal computer parallel port hardware implements an interrupt-on-acknowledge signal to make this task easier.

### Printer Buffer Size

The Series 150 Printer has a configurable buffer size. It can be set from 256 bytes to 6144 bytes. This allows an application to control how far ahead of the printer it can get. The smaller the buffer is, the tighter the control will be. It is up to the application developer to select the optimal buffer size.

### One-line mode

The Series 150 Printer supports a one-line mode of operation. In this mode, the input buffer is set to 1024 bytes; however, the printer will go busy after every [CR] received. In this mode, the printer will stay busy after the [CR] is received and remain busy until the previous information is printed. Several features must be considered when using one-line mode.

1. The printer only looks at [CR]'s. [LF] will cause the printer to print but will not set busy.
2. If a [CR] character is received as part of another command, i.e, as part of graphics data, the printer will go busy after the [CR] is received, but will go ready after the [CR] is processed.
3. By definition, one-line mode is slow. The printer will not allow the application to get ahead of the printer.

### Parallel Port Inquire IEEE 1284

The Series 150 Printer supports the IEEE 1284 bidirectional parallel peripheral interface standard. This standard provides for a bidirectional link on the parallel port. The Series 150 Printer supports Modes 0 and 4 only. This provides a nibble mode reverse channel for printer identification and status inquire command. It is beyond the scope of this guide to describe the IEEE 1284 protocol. The complete specification is available from:

The Institute of Electrical and Electronic Engineers, Inc.  
345 East 47th Street  
New York, NY 10017, USA

### Buffer

The Series 150 Printer has a 256-byte buffer that contains information to be returned by the IEEE 1284 reverse link. Information is placed in this buffer in the same format as RS-232 serial information is returned. Inquire commands sent to the printer in IEEE 1284 mode will place responses to the commands in the IEEE 1284 reverse channel buffer. This buffer is then transmitted to the host when the host requests the reverse channel.

### Mode 4

Mode 4 provides for the printer to return identification information to the host system.

The Series 150 Printer returns: xx,yy (length of following data, 2 bytes with msb first)  
MANUFACTURER: Ithaca-Peripherals;  
COMMAND SET: IPCL;  
MODEL:150;  
COMMENT: Rev. x.xx;  
ACTIVE COMMAND SET: IPCL;

When a Mode 4 request is made, the IEEE 1284 buffer is cleared before the ID is sent.

**Mode 0**

Mode 0 provides a reverse channel for information from the printer. Normal responses to inquire (ENQ) commands will be placed in the IEEE 1284 reverse channel buffer. The Mode 0 reverse channel request will begin returning this information to the host. The host may terminate the transmission at any time. If the link is terminated between nibbles, the last nibble is retransmitted on the next request. If a complete byte is transmitted, it is deleted from the IEEE 1284 reverse channel buffer. There is an inquire command that will clear the reverse channel buffer before placing its response in the buffer. The IEEE 1284 buffer is limited to 256 characters. If the buffer is not emptied by reverse channel requests and data transfers, the buffer will overflow. The buffer is a first-in first-out (FIFO) buffer, and the last data placed in the buffer is lost. No attempt should be made to send normal data to the printer while the reverse channel is active. Any data sent to the printer in this mode will be lost and may terminate the reverse channel link.

**Time-out**

IEEE 1284 specifies a time-out for various phases of the protocol. The Series 150 Printer treats these time-outs as minimums. The printer will time out at the specified time only if it is idle during the complete phase.

**Active State**

The IEEE 1284 reverse channel may be activated at any time as long as the printer is not busy with data. This means that if the printer is off-line the reverse channel may be activated. If the printer is placed back on-line while the reverse channel is active, the printer will not exit the reverse channel mode.

**Inquire Responses**

In general, inquire commands place two-byte responses in the IEEE 1284 reverse channel buffer. The two bytes are the same as the serial mode responses. In IEEE 1284 mode, the printer will remain busy until the inquire command is processed. This assures responses in real time. To get the response, the host must ask for it. It is possible for the host to make a number of requests and then get all the responses; however, the status returned will be valid at the time the request was made.

It is possible for the dynamic response mode to be activated and the reverse channel opened. The reverse channel will then change from reverse idle to reverse data available as the status changes. The application must be careful in dynamic response mode that the dynamic responses are not left active when the reverse channel is closed. If this happens, the buffer will overflow. If there is data in the buffer when dynamic responses are activated, it will not be replaced by current status. If dynamic response is off and a clear buffer command is issued followed by activation of dynamic responses, the buffer will then contain fresh data. If the buffer clear command is issued after the dynamic response is activated, the buffer will be cleared and any unread responses will be lost.



**Parallel Port Inquire (Non-IEEE 1284)**

All inquire commands require a response from the printer. The serial port is bidirectional; the non-IEEE 1284 parallel port is not. For this reason, the parallel, non-IEEE 1284 operation of inquire commands is different from serial and IEEE 1284 modes. In serial and IEEE 1284 operation, inquire commands are responded to by an acknowledged (ACK) or not acknowledged (NAK) sign and then the command ID on the return link.

In non-IEEE 1284 parallel operation, there is no easy way to return complex information to the host. The paper error (PE) signal is driven in response to inquiries. If a true paper error is being signaled, the ERR line will also be driven. It is, therefore, possible to distinguish between a paper error and an inquire response.

In parallel, non-IEEE 1284 mode, the printer will respond to the inquire before the parallel port sequence is complete. When the parallel port acknowledges the ID portion (the second byte) of the inquire sequence, the PE signal will be valid. The host must, however, remember what status request was made, as the printer has no way of signaling that information. In addition, the host must not interpret the PE signal as an error but as a response to an inquiry.

The PE signal can be configured to respond in two ways. The first is static. The PE will remain valid until the next inquire is issued. It may also be configured to operate dynamically which means the PE signal will follow the status of the feature being tracked. In all cases, a true paper error is dynamic. True paper error status will not override any other status request. For example, if you want true paper error operation, it must be selected after all other dynamic status requests.

To synchronize inquire commands with the operation of the paper error signal, the printer will remain busy after the second byte of an inquire command until the inquire command is processed. This typically takes about 100 microseconds.

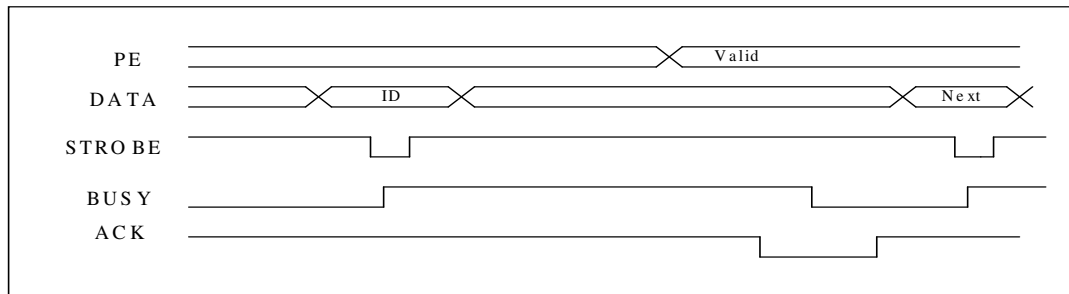


Figure 17 PE to ENQ request timing

It should be noted that inquire commands are preprocessed (looked at and processed before they are buffered). They are still buffered. This means that the buffer could be filled with inquire commands if the printer is waiting for some other operation.

### **Parallel Port Plug and Play**

Microsoft Windows implements Plug and Play (PnP) by doing an IEEE 1284 inquire during boot. The Series 150 Printer will respond to this inquire if IEEE 1284 is active.

If the Windows PnP configuration flag is set in the printer, IEEE 1284 will be active for all parallel port modes. For example, Windows PnP in parallel mode forces IEEE 1284. For PnP to work, the host must have an IEEE 1284-compatible port adapter, and the cable used to connect to the printer must support all the interface signals. The PnP response follows.

Device ID string:

MFG: Ithaca-Periph.;CMD:M150CL,IPCL;CLS:PRINTER;MDL S150 PcOS;DES:Ithaca-Peripherals Series 150;REV:01.13;OPTS;\$5xyz

PnP ID: LPTENUM\Ithaca-Periph.S150\_PcECB3

Device Description: Ithaca-Peripherals Series 150

Device Class: PRINTER

The OPTS field is always as follows: OPTS;\$5XYZ

Where X is a model definition, X and Y are bit fields that designate the options attached to the printer.

Y		X			
Bit 0	→	Alternate print zone	Bit 0	→	Slip capability
Bit 1	→	Undefined	Bit 1	→	Knife module attached
Bit 2	→	Undefined	Bit 2	→	MICR module attached
Bit 3	→	0	Bit 3	→	0
Bits 4-5	→	1	Bits 4-5	→	1
Bits 6-7	→	0	Bits 6-7	→	0

The REV filed is the revision of the software installed in the printer.

**Parallel Port Connector**

The parallel printer interface is a 25-pin D-shell connector. The pin out is such that the printer will interface to a standard personal computer parallel printer interface with a one to one cable. The INIT\ (initialize) printer input acts as a hardware reset to the printer. This signal must be inactive (high) for about four seconds before the printer will respond to information input. The paper error signal is asserted by the printer whenever the journal paper is exhausted and an attempt is made to print on the journal. The paper error signal is also asserted in response to inquire (ENQ) commands in parallel, non-IEEE 1284 mode.

The ERR\ signal is asserted if a head jam occurs or if the paper error signal is asserted for a true paper error. **Note:** The AUTOFD (auto feed, Pin 14) and SLIN (Select input, Pin 17) signals are not used by the Series 150 Printer in parallel, non-IEEE 1284 mode.

Pin 1	STROBE	Clock data to printer	Host to Printer
Pin 2-9	D0 - D7	Data	Host to Printer
Pin 10	ACK\	Printer accepted cata	Printer to Host
Pin 11	BUSY	Printer is busy	Printer to Host
Pin 12	PE	Paper out/status	Printer to Host
Pin 13	SLCT	Printer selected	Printer to Host
Pin 14	AUTOFD	Auto feed paper	Host to Printer
Pin 15	ERR\	Printer error	Printer to Host
Pin 16	INIT\	Initialize the printer	Host to Printer
Pin 17	SLIN	Select printer	Host to Printer
Pin 18-25	GND	Ground	

Table 27 Parallel port pin-outs

**Signal Levels**

Voltage levels                    0 V and +5 V (nominal)

Logic levels

Logic 1  
 Driver   +2.4 V to +5 V  
 Receiver+2.0 V to +5 V

Logic 0  
 Driver   0 V to +0.4 V  
 Receiver0 V to +0.8 V  
 Driver   +2.4 V to +5 V

Current requirements

Logic 1 Source 0.25 ma at +2.4 V  
 Logic 0 Sink 16 ma

Line termination

Data and control 3.3 K ohm to +5 V  
 Strobe 1.2 K ohm to +5 V

## Serial Port

### Serial Port Features

The serial port features are as follows:

<b>Baud rates</b>	300, 600, 1200, 2400, 4800, 9600, 19.2K
<b>Bit patterns</b>	8-bit, no parity; 8-bit odd; 8-bit even; 7-bit no parity; 7-bit odd; 7-bit even
<b>Flow control</b>	DTR and XON/XOFF

Table 28 Serial bit rates

It should be noted that the 7-bit, no parity is in fact an 8-bit format. The implementation of the hardware UART in the Intel 8051 family will not allow a true 7-bit, no parity format. If the host provides a true 7-bit, no parity format, it must be configured with two stop bits. The Series 150 Printer has a 64-character high-speed buffer before the main system buffer. This high-speed buffer allows the printer to operate at high serial data rates while printing. Because no data is evaluated in this buffer, the printer will have a delayed response to inquire requests and [CR]'s in one-line operation. This has a significant effect on one-line mode operation.

### Serial Port Pin-out

Not connected	Input	Pin 1	DCD	Data carrier detect	Not used
Used in printer	Input	Pin 2	RX	Receive data	Commands/data to print
Output to host	Output	Pin 3	TX	Transmit data	Return data
Ready and/or flow control signal to host	Output	Pin 4	DTR	Data terminal ready	Printer ready to receive data (follows buffer)
		Pin 5	GND	Signal ground	
Disable printer control from host	Input	Pin 6	DSR	Data set ready	Not used in standard printer (configurable)
Ready and/or flow control signal to host	Output	Pin 7	RTS	Request to send	Printer ready to receive data (follows buffer)
Flow control from host	Input	Pin 8	CTS	Clear to send	Not used in standard printer (configurable)
*Strapable 12 V or DTR	Output	Pin 9	SSD	Secondary data	Not used in standard printer (provides power to peripheral)

Table 29 Serial port pin-outs

Because both the host and the printer are DTE's (Data Terminal Equipment), they use the same serial port pin-outs. If the cable that is used to connect the host to the printer is a pin-to-pin interconnect, it will not work. For this reason, a null modem or turn-around cable must be used to interconnect the host and the printer.

### Signal levels

The serial interface meets EIA RS-232 requirements.

Logic 1 -15 V to -3 V: mark = off

Logic 0 +3 V to +15 V: space = on

**Serial Port Protocol**

The serial port supports two flow control standards, XON/XOFF and Ready/Busy (sometimes called DTR or hardware handshake.)

When Ready/Busy flow control is selected, the printer can be configured to use DTR, RTS, or both for flow control. If only DTR is selected for flow control, RTS will indicate that the printer has faulted. The following discussions will assume the DTR is being used for flow control.

The Ready/Busy protocol generally uses the DTR signal to indicate to the host computer that the printer is not ready to accept data. The host should stop sending data to the printer as soon as possible. Because the host may not notice the DTR signal until it has transmitted several bytes of data to the printer, the printer will continue to except up to 255<sup>15</sup> bytes of data after it indicates that it is not ready. The figure below illustrates how the Ready/Busy protocol works.

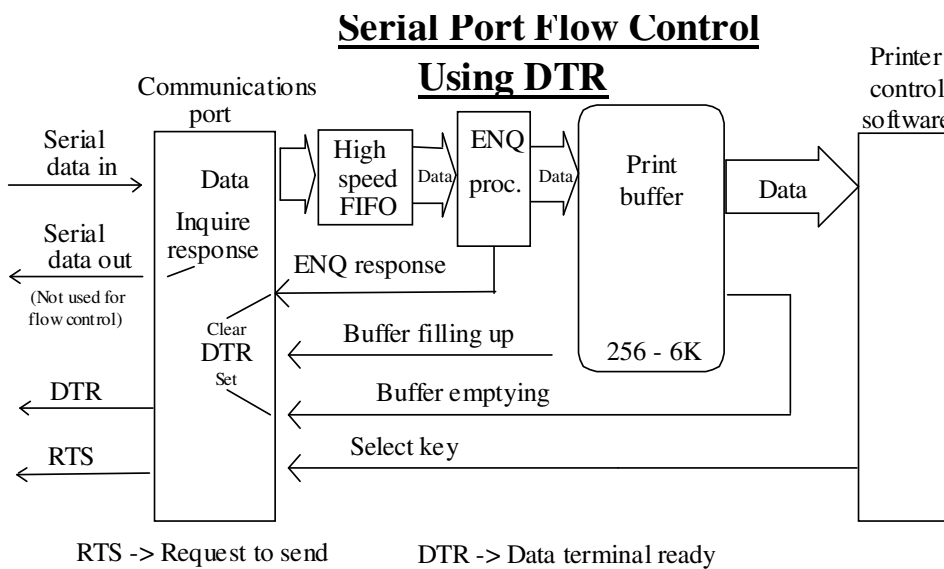


Figure 18 Serial port flow control using DTR

<sup>15</sup> The buffer always signals it is full before it overflows. The size of the reserve depends on the buffer size selected. It is always at least 255 bytes.

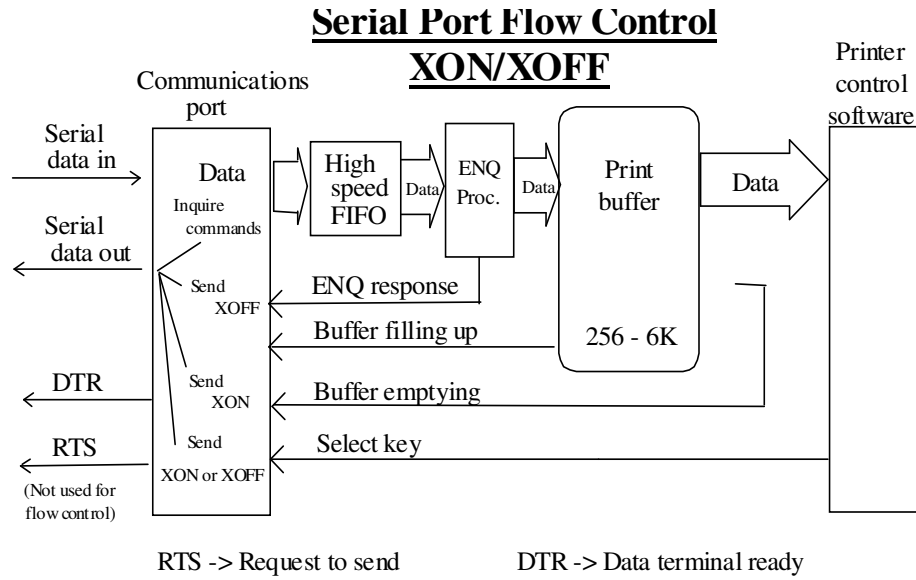


Figure 19 Serial port flow control XON/XOFF

**Print Buffer Flow**

The following flow chart illustrates the communication driver getting data from the serial port and placing the data in the buffer using Ready/Busy or XON/XOFF flow control.

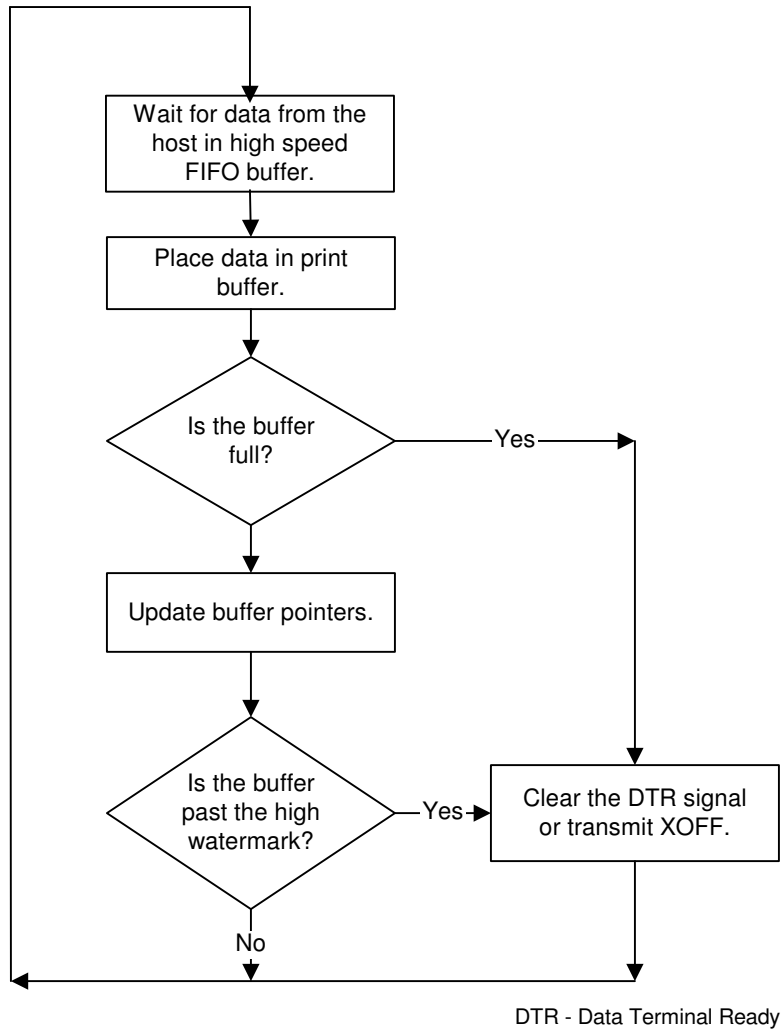


Figure 20 Serial buffer operation

At the top of the flow chart, the driver is waiting for data. When data is received from the host, the printer checks to see if it is an inquire command. If the data is an inquiry, it is responded to and placed in the buffer. If not, the data is placed directly into the buffer. The buffer is then checked to see if it is full before the internal pointer is incremented. If it is not full, the pointer is incremented in preparation for the next data byte. The buffer is then checked to see if it is getting full by checking the amount of information in the buffer to see if it has passed a high watermark. If it has, the communication driver is notified, and it resets data terminal ready (DTR) to indicate to the host that no more data should be sent.

The following flow chart illustrates how the print controller takes information from the buffer and controls flow. At the top of the chart, the print control software asks for data. If there is no data in the buffer, a no data flag is returned. The print software must then wait for data. If there is data in the buffer, it is read and pointers are updated. The buffer is then checked to see how much information is left. If the buffer is below a low watermark (about 100 bytes left), the communication driver is notified, and DTR is reasserted.

If XON/XOFF flow control is being used, the flow is similar to DTR flow except that DTR is not used and XON/XOFF control characters are transmitted back to the host on the serial link. XON/XOFF has an advantage over DTR in that only three wires are required to interconnect to a printer. The disadvantage is that a serial port receiver driver must be written for the host.



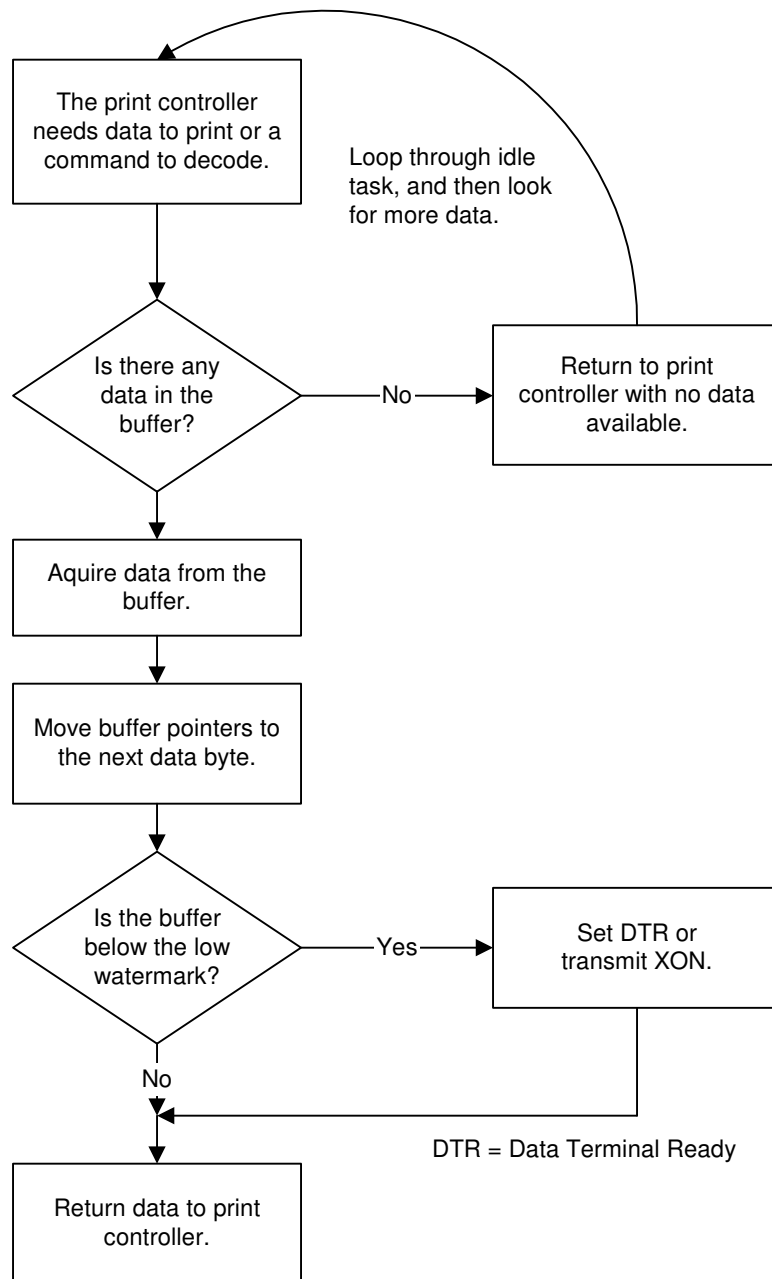


Figure 21 Print controller using data

The print controller is always looking for data when the printer is on-line and not printing. It continuously asks the buffer if it has any data. If there is no data in the buffer, it does housekeeping chores like keyboard scanning. If there is data, it processes it. The flow control is done when the data is taken from the buffer and the amount of data in the buffer is less than a prescribed amount. This low watermark is set based on the expected environment. The Series 150 Printer sets this at 200 characters, which gives the host application time to get more data to the printer before the printer uses up what it has.

When XON/XOFF protocol is implemented, it is possible for the host to miss an XON or an XOFF. To prevent this from causing a communication lockup, the printer will send an XOFF for every character received after the high watermark is reached.

Whenever the printer detects that the serial data link is inactive, it will send out an XON. This results in an XON being sent out about every two seconds.

When the printer is selected or deselected (with the SELECT key), an XON or XOFF will also be sent. This happens even if the internal data buffer is past the high watermark<sup>16</sup> and tells the host that the SELECT key has been pressed. If the buffer is full and an XON is sent, the next character sent by the host will cause an XOFF to be sent. The data that was sent by the host will not be lost unless the 255-character pad buffer is depleted.

### **Printer Buffer Size**

The Series 150 Printer has a configurable buffer size. It can be set from 256 bytes to 6144 bytes (This does not include the 64-character high-speed buffer). This allows an application to control how far ahead of the printer it can get before being asked to wait. The smaller the buffer is, the tighter the control. It is up to the application developer to select the optimal buffer size.

### **One-line Mode**

The Series 150 Printer supports a one-line mode of operation. In this mode, the input buffer is set to 1024 bytes; however, the printer will go busy after every [CR] is received by the printer. In this mode, the printer will stay busy after the [CR] is received and remain busy until the previous information is printed. This mode is not recommended for serial operation unless the application looks for the line terminator handshake. Several features must be considered when using this mode.

1. The printer only looks at [CR]'s. [LF] will cause the printer to print but will not set busy.
2. If a [CR] character is received as part of another command, i.e., as part of graphical data, the printer will go busy after the [CR] is received and will go ready after the [CR] is processed.
3. By definition, one-line mode is slow. The printer will not allow the application to get ahead of it.
4. In serial mode, one-line mode is difficult to control. Because of the 64-character high-speed FIFO buffer, the printer will not go busy immediately after the [CR] is sent. It may take up to 25 milliseconds for the printer to process the [CR]. During this time, it is possible for the application to send up to 48 bytes of data to the printer. When the [CR] is found in the input stream, the busy status will be set. If the application continues to send information, the input buffer will be overrun as it only has 16 bytes left. In addition, the application will not truly be in one-line operation. The application must wait for at least 100 milliseconds after a [CR] before looking for busy status or trying to send more data.
5. In XON/XOFF mode, the printer is heavily burdened by the task of transmitting XOFF characters while printing and receiving data. The application should be written to look for the XOFF after every [CR]. The Series 150 Printer will lose data if too many characters follow the XOFF.

---

<sup>16</sup>If the host sends more information, it will be responded to by an XOFF.

## Serial Port Inquire

The serial port inquire is more straightforward than parallel mode. The serial acknowledge (ACK) or not-acknowledge (NAK) responses follow a uniform format. The ACK or NAK is always followed by the command ID that requested it. This makes the design of the host application easier because the response can be identified and always follows the same format. Figure 22 is an example of a host/printer inquiry response exchange.

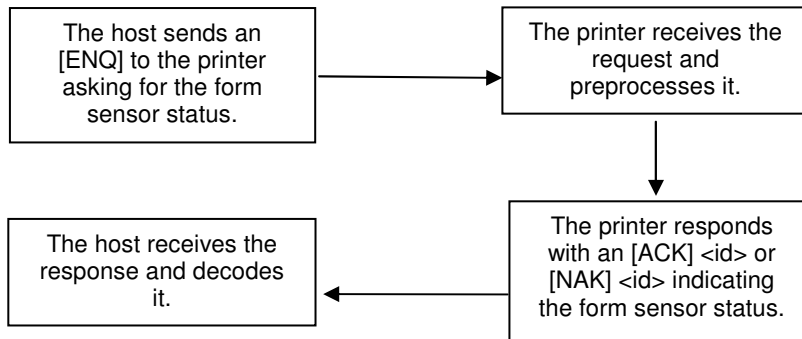


Figure 22 Inquire flow

The host sends an [ENQ]<id> (form sensor status) request to the printer. The printer responds with an [ACK]<id> indicating that the request was identified, and the status is true. Inquire (ENQ) commands effect the printer's performance. The priority for communication in the printer is very high. ENQ commands take processing away from print tasks. It is possible to ask for so much status that the printer slows. In serial mode, it is important that the response to an inquire be received by the host before another command is issued. When an inquire is received by the printer, it is buffered in a high-speed process queue. When the printer has time, it empties the queue and processes the inquires. The printer responds to the command as soon as the second byte of the command is taken from the high-speed buffer. If the host is looking for a form to be inserted, it should not send status requests as fast as it can. The host will get a response to all of them, and if the host did not wait for a response to each, there would be unnecessary responses.

In IEEE 1284 mode, inquiry responses are placed in an IEEE 1284 transmit queue. When the IEEE 1284 reverse channel is opened, the responses are returned to the host. It is important that after each request, the reverse channel be opened. Inquire responses will remain in the queue until read. If the [ENQ] <9> command is sent to the printer, the IEEE 1284 buffer will be cleared and only the response to the [ENQ] <9> will remain.

## Remote Printer Reset

### Reset in Serial Mode

It is possible to generate a printer reset in serial mode. The [ENQ] <10> command will request that the printer reset. (This is not a hardware reset). It will, however, completely initialize the hardware and software but will not recover from a loss of software control.

**Note:** If the printer mode was changed by the [ESC] y <2> or [ESC] y <3> command, a soft reset will not return to the power on default.

The command flow follows.

1. The [ENQ] <10> will be acknowledged, and then the software will reset.
2. The printer will be placed off-line.
3. The hardware and software will be reinitialized.
4. The printer will then go back on-line. Any information sent to the printer while it is off-line will be lost.

### Reset in Parallel Mode

In parallel mode, driving the INIT signal on the parallel port for 100 milliseconds will generate a software reset. It will take about two seconds for the printer to recover from a reset. The [ENQ] <10> command will be rejected if parallel mode is active.

### Power-cycle Recovery

There are times when the host needs to know if the printer was power cycled. An example would be after changing the receipt tape. It is not necessary to turn off the printer to change the receipt. However, if the operator does, any information sent to the printer before the power cycle will be lost.

The Series 150 Printer has a flag that is set after a reset. The flag stays set until it is requested by the host; at which time, it is reset. The [ENQ] <11> command reads the flag. If the command returns power-cycled status, the power has been reset or power cycled since the last request and all unprinted information has been lost.

If the print operation is critical, it is a good idea to check the flag before and after all transactions. An alternate approach is to check the flag after every off-line to on-line transition.

**Note:** If the printer mode was changed by the [ESC] y <2> or [ESC] y <3> command, a power-cycle reset will return to the power on default.

## Programmer's Notes

When the serial port is being used, it is important that the output lines from the printer not be shorted or back driven. If the signals are not to be used, they should be left open.

Pins 3, 4, and 7 are outputs from the printer. If any one of these signals is grounded or back driven, the other two outputs will be degraded.

The best time to configure the printer by the host is during system setup or software update.

The printer should be power cycled after configuration to assure that the new configuration takes effect.

In serial mode, one-line mode should be avoided, particularly in XON/XOFF mode. The high speed FIFO input buffer makes one-line mode difficult to process.

If the knife module fails at any time, the configuration can be changed to deactivate the option and the printer will not ask it for status. This will allow the printer to be used without the option until the printer can be repaired.

# Chapter 11:

## Cash Drawer Interface

### Interface Description

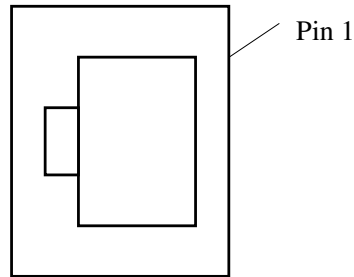
The Series 150 Printer supports dual cash drawers with status. The driver in the printer is capable of supplying 24 VDC at up to 1.5 amps and 250 milliseconds. The Series 150 Printer defines cash drawer closed as switch open. If the drawer is disconnected, it will be viewed by the printer as closed. Since the printer does not act on the cash drawer status, the application can interpret cash drawer status any way it wants.

### Interface Connectors

There are two cash drawer connectors. One is configured as Cash Drawer 1, the other as Drawer 2. The pin out is as follows:

Function	Drawer 1	Drawer 2
Drawer Drive +	Pin 4	Pin 4
Drawer Drive -	Pin 5	Pin 1
Status Signal	Pin 2	Pin 2
Status Ground	Pin 3	Pin 3
Frame Ground	Pin 6	Pin 6
No Connect	Pin 1	Pin 5

Table 30 Ithaca cash drawer connector



Note: Cash Drawer 2 can be factory configured to be the same as Drawer 1.

Function	Drawer 1	Drawer 2
Drawer Drive +	Pin 4	Pin 4
Drawer Drive -	Pin 2	Pin 5
No Connect	Pin 5	Pin 2
Status Signal	Pin 3	Pin 3
Status Ground	Pin 6	Pin 6
Frame Ground	Pin 1	Pin 1

Table 31 Epson/Axiom cash drawer connector

Function	Drawer 1	Drawer 2
Drawer Drive -	Pin 2	Pin 2
Drawer Drive +	Pin 3	Pin 3
Status Signal	Pin 6	Pin 6
Frame Ground	Pin 1	Pin 1
No Connect	Pin 4	Pin 4
No Connect	Pin 5	Pin 5

Table 32 Star cash drawer connector

## Chapter 12:

# Printing Graphics

The Series 150 Printer has bit image graphic capabilities and a full PC-compatible graphic character set. The bit image format is similar to that used on other personal computer printers. There are three modes of operation: single-density, half-speed double-density, and full-speed double-density. Single-density is the fastest mode. It makes a single, unidirectional, 60 dpi print pass. The full-speed double-density makes two passes with a half-dot offset. This mode is half the speed of single-density print but will print at 120 dpi. Half-speed double-density is half the speed of full-speed double-density; however, the print quality is enhanced.

### Character Graphics

Character graphics are created by joining individual characters together to produce a mosaic of characters that form a graphic image. The simplest method is to use the \* (or any other character) to form an image. For example, ITHACA might be formed as follows.

```
***  ***  *   *   **   ***   **  
*    *   *   *   *   *   *   *   *   *  
*    *   ***** ***** *   *****  
*    *   *   *   *   *   *   *   *   *  
***  *   *   *   *   *   ***  *   *
```

The extended character set of the printer supports line graphic characters that can be combined to form windows and other shapes. For the shapes to join from line to line, the line spacing must be set properly.

All characters are in a 9-dot-high character cell. The dots are 1/60 inch apart. Therefore, the line spacing should be 10/60 or 1/6 inch. The set fine line space command can be used to set this line spacing. If possible, the spacing should be reduced slightly to overlap the rows. This prevents any white space from appearing between the lines. The following example illustrates the use of extended graphic characters.

---

```

[ESC]U<1>      Select unidirectional print for better alignment.
[ESC] :        Select 12 cpi.
[ESC]3<34>    Set line spacing to 0.157 inch. (This is slightly smaller than 1/6 inch.)
  <201>        Send the line graphic characters to the printer.
<205><205><205><205><205><205><205><205><205>
<205><205><205><205><205><205><205><205><205>
<205><205><205><205>
<187>[CR][LF]
<186> PcOS PRINTERS <186>[CR][LF]
<186>      <186>[CR][LF]
<186> MADE TO ORDER <186>[CR][LF]
<186> BUILT TO LAST <186>[CR][LF]
<200>
<205><205><205><205><205><205><205><205><205>
<205><205><205><205><205><205><205><205><205>
<205><205><205><205>
<188>[CR][LF]      This finishes the line graphics.
[ESC]U<0>        Reenable bidirectional printing.
[ESC]0           Set standard 1/8-inch line spacing.
[SI]            Set 17 cpi.
[CR][LF]       Finish the form.
ST# 2000 OP# 00067 TE# 021 0035[CR][LF]
KLEENEX FAM D04 QTY 1 1.68 J[CR][LF]
RITZ D01 QTY 1 2.50 D[CR][LF]
CHIPS D01 QTY 1 1.50 D[CR][LF]
STORAGE BAG D04 QTY 1 1.50 J[CR][LF]
  SUB TOTAL 7.18[CR][LF]
  SALES TAX 1 .50[CR][LF]
  -----[CR][LF]
  TOTAL 7.68[CR][LF]
  CASH TEND 20.00[CR][LF]
  CHANGE DUE 12.23[CR][LF]
[CR][LF]
[ESC]a<1>
THANK YOU FOR SHOPPING WITH US[CR][LF]
[ESC]a<0>
[CR][LF]
{DATE:0} {TIME:0}[CR][LF]
    
```

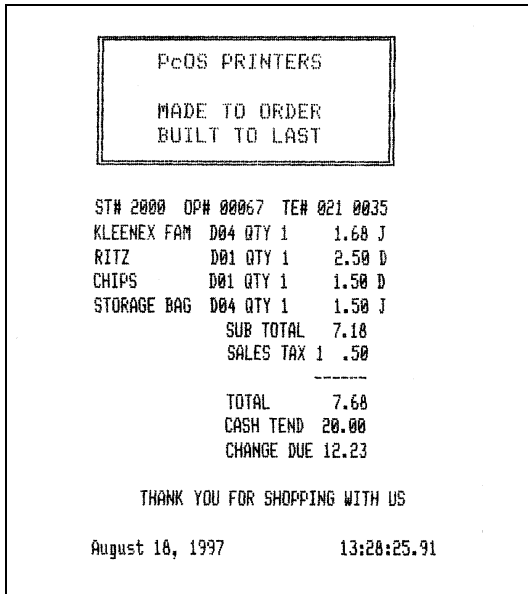


Figure 23 Receipt with extended graphic characters

When printing line graphics, the data path to the printer must be eight bits. Seven-bit serial protocols will not access the extended characters. The extended characters require that the form be reverse fed. This means that printing line graphics on the receipt may be less than acceptable.



---

## APA Graphics

The printer is capable of all-points-addressable (APA) graphics. Generating a graphic image by hand is time consuming and tedious. It is possible to use a graphic package to create a graphic image. The following procedure will help with the setup.

1. Generate the graphic image in the program of your choice.
2. Make sure the paper size you choose will fit the printer station. If the paper size cannot be set, print a portion of the page.
2. Print the graphic to a file using a generic, IBM, graphic, 9-pin driver. The standard IBM resolutions are: 240 x 216 dpi, 120 x 72 dpi, and 60 x 72 dpi. The Series 150 Printer supports all three resolutions. For good resolution with reasonable speed, use 120 x 72 dpi.
4. Print the graphic image to a file.
5. Edit the resulting file to remove any unwanted form control, and insert the Series 150 form control. Make the resulting file available to your application, so it will be sent to the printer when required.

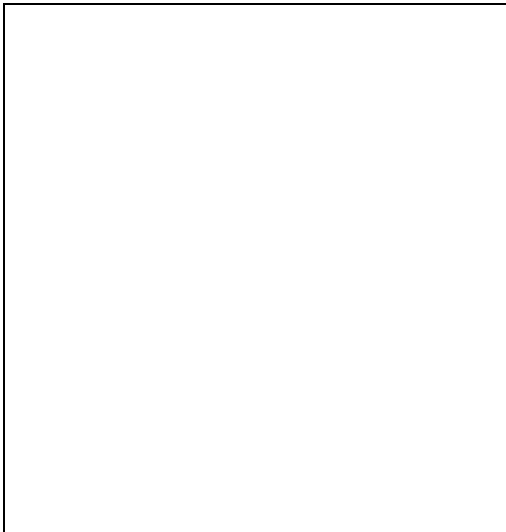


Figure 24 Receipt with APA graphics

As with all graphics, the data path to the printer must be eight bits; 7-bit protocols will not work.

The quad-density graphic resolution will give the best rendition of your graphic image; however, this mode is slow and prints dark. The printer is setup to provide the best performance in normal operation. For this reason, quad-density graphics should be limited. The APA graphic example above was done with double-density graphics. The graphic driver used made an approximation of the graphic image. The first part of the graphic file is listed here in hex. This is a hex dump of the first 512 bytes of the graphic file printed on the above receipt.

0100	1B	43	00	0B	0D	0C	46	1B-48	1B	49	01	1B	54	1B	55	.C....F.H.I..T.U
0110	00	1B	55	00	1B	46	1B	49-01	1B	66	0D	34	00	8B	0D	..U..F.I..f.4...
0120	1B	55	01	1B	59	60	01	00-00	00	00	00	00	00	00	00	.U..Y`.....
0130	00	00	00	00	00	00	00	00-00	00	00	00	00	00	00	00	.....
0140	00	00	00	00	00	00	00	00-00	00	00	00	00	00	00	00	.....
0150	00	00	00	00	00	00	00	00-00	00	00	00	00	00	00	00	.....
0160	00	00	00	00	00	00	03	01-02	01	02	01	02	01	02	01	.....
0170	02	01	02	01	02	01	02	01-02	01	02	01	02	01	02	01	.....
0180	02	01	02	01	02	01	02	01-02	01	02	01	02	01	02	01	.....
0190	02	01	02	01	02	01	02	01-02	01	02	01	02	01	02	01	.....
01A0	02	01	02	01	02	01	02	01-02	01	02	01	02	01	02	01	.....
01B0	02	01	02	01	02	01	02	01-02	01	02	01	02	01	02	01	.....
01C0	02	01	02	01	02	01	02	01-02	01	02	01	02	01	02	01	.....
01D0	02	01	02	01	02	01	02	01-02	01	02	01	02	01	02	01	.....
01E0	02	01	02	01	02	01	02	01-02	01	02	01	02	01	02	01	.....
01F0	02	01	02	01	02	01	02	01-02	01	02	01	02	01	02	01	.....
0200	02	01	02	01	02	01	02	01-02	01	02	01	02	01	02	01	.....
0210	02	01	02	01	02	01	02	01-02	01	02	01	02	01	02	01	.....
0220	02	01	02	01	02	01	02	01-02	01	02	01	02	03	00	00	.....
0230	00	00	00	00	00	00	00	00-00	00	00	00	00	00	00	00	.....
0240	00	00	00	00	00	00	00	00-00	00	00	00	00	00	00	00	.....
0250	00	00	00	00	00	00	00	00-00	00	00	00	00	00	00	00	.....
0260	00	00	00	00	00	00	00	00-00	00	00	00	00	00	00	00	.....
0270	00	00	00	00	00	00	00	00-00	00	00	00	00	00	00	00	.....
0280	00	00	00	00	00	00	00	1B-55	00	1B	4A	18	0D	1B	55	.....U..J...U
0290	01	1B	59	60	01	00	00	00-00	00	00	00	00	00	00	00	..Y`.....
02A0	00	00	00	00	00	00	00	00-00	00	00	00	00	00	00	00	.....
02B0	00	00	00	00	00	00	00	00-00	00	00	00	00	00	00	00	.....
02C0	00	00	00	00	00	00	00	00-00	00	00	00	00	00	00	00	.....
02D0	00	00	00	00	FF	FF	00	00-00	00	00	00	00	00	00	00	.....
02E0	00	00	00	00	00	00	00	00-00	00	00	00	02	01	02	01	.....
02F0	02	00	02	00	02	00	02	01-02	01	00	00	00	00	00	00	.....

## Appendix A Language Tables

Code Page	Country Code/ Language Set	Decimal <n1> <n2>	Hex <n1> <n2>	ASCII <n1> <n2> <n3>	Epson ID
64	USA (slashed 0)	0,64	0H,040H	0,0,6,4	NA
65	USA (unslashed 0)	0,65	0H,041H	0,0,6,5	NA
66	British	0,66	0H,042H	0,0,6,6	3
67	German	0,67	0H,043H	0,0,6,7	2
68	French	0,68	0H,044H	0,0,6,8	NA
69	Swedish I	0,69	0H,045H	0,0,6,9	5
70	Danish I	0,70	0H,046H	0,0,7,0	NA
71	Norwegian	0,71	0H,047H	0,0,7,1	NA
72	Dutch	0,72	0H,048H	0,0,7,2	14
73	Italian	0,73	0H,049H	0,0,7,3	NA
74	French Canadian	0,74	0H,04AH	0,0,7,4	13
75	Spanish I	0,75	0H,04BH	0,0,7,5	NA
76	Swedish II	0,76	0H,04CH	0,0,7,6	15
77	Swedish III	0,77	0H,04DH	0,0,7,7	16
78	Swedish IV	0,78	0H,04EH	0,0,7,8	17
79	Turkish	0,79	0H,04FH	0,0,7,9	18
80	Swiss I	0,80	0H,050H	0,0,8,0	19
81	Swiss II	0,81	0H,051H	0,0,8,1	20
90	Publisher	0,90	0H,05Ah	0,0,9,0	64
437	USA	1,181	1H,0B5H	0,4,3,7	0
774	Baltic	3,6	3H,006H	0,7,7,4	74
850	Multilingual	3,82	3H,052H	0,8,5,0	26
852	East European Latin II	3,84	3H,054H	0,8,5,2	46
855	Cyrillic I	3,87	3H,057H	0,8,5,5	44
857	Turkey	3,89	3H,059H	0,8,5,7	57
860	Portugal	3,92	3H,05CH	0,8,6,0	28
861	Icelandic	3,93	3H,05DH	0,8,6,1	73
862	Hebrew NC	3,94	3H,05EH	0,8,6,2	60
863	Canada French	3,95	3H,05FH	0,8,6,3	43
865	Norway	3,97	3H,061H	0,8,6,5	27
866	Cyrillic II	3,98	3H,062H	0,8,6,6	45
869	Greek_869	3,101	3H,065H	0,8,6,9	47

Table 33 Language Tables

Code Page	Country Code/ Language Set	Decimal <n1> <n2>	Hex <n1> <n2>	ASCII <n1> <n2> <n3>	Epson ID
895	Kamenicky (MJK)	3,127	3H,07FH	0,8,9,5	55
1008	Greek 437	3,240	3H,0F0H	1,0,0,8	38
1009	Greek 928	3,241	3H,0F1H	1,0,0,9	39
1011	Greek 437 CYPRUS	3,243	3H,0F3H	1,0,1,1	41
1012	Turkey	3,244	3H,0F4H	1,0,1,2	29
1014	Polska Mazovia	3,246	3H,0F6H	1,0,1,4	22
1015	ISO Latin 2	3,247	3H,0F7H	1,0,1,5	23
1016	Serbo Croatic I	3,248	3H,0F8H	1,0,1,6	24
1017	Serbo Croatic II	3,249	3H,0F9H	1,0,1,7	25
1018	ECMA-94	3,250	3H,0FAH	1,0,1,8	42
1019	Windows East Europe	3,251	3H,0FBH	1,0,1,9	49
1020	Windows Greek	3,252	3H,0FCH	1,0,2,1	50
1021	Latin 5 Windows Turkey	3,253	3H,0FDH	1,0,2,2	51
1022	Windows Cyrillic	3,254	3H,0FEH	1,0,2,4	52
1024	Hungarian CWI	4,0	4H,000H	1,0,2,5	54
1026	ISO Latin 4	4,2	4H,002H	1,0,2,6	56
1027	Ukrainian	4,3	4H,003H	1,0,2,7	66
1028	Roman-8	4,4	4H,004H	1,0,2,8	58
1029	ISO Latin 6	4,5	4H,005H	1,0,2,9	67
1031	Hebrew OC	4,7	4H,007H	1,0,3,0	61
1032	Windows Hebrew	4,8	4H,008H	1,0,3,2	62
1033	KBL-Lithuanian	4,9	4H,009H	1,0,3,3	63
1034	Windows Baltic	4,10	4H,00AH	1,0,3,4	68
1035	Cyrillic-Latvian	4,11	4H,00BH	1,0,3,5	69
1072	Bulgarian	4,48	4H,030H	1,0,7,2	72
NA	French				1
NA	Danish I				4
NA	Italian				6
NA	Spanish I				7
NA	Japanese				8
NA	Norwegian				9
NA	Danish II				10
NA	Spanish II				11
NA	Latin American				12

Table 34 Code page definitions

**Note:** There is a demonstration script distributed with the CFG150 program that will print a complete character chart for IBM or EPOS modes. See the CFG150 distribution disk.

# Appendix B ASCII Code Chart

HEX	Decimal	ASCII	HEX	Decimal	ASCII	HEX	Decimal	ASCII	HEX	Decimal	ASCII
00	0	NULL	20	32	(SP)	40	64	@	60	96	`
01	1	SOH	21	33	!	41	65	A	61	97	A
02	2	STX	22	34	"	42	66	B	62	98	B
03	3	ETX	23	35	#	43	67	C	63	99	C
04	4	EOT	24	36	\$	44	68	D	64	100	d
05	5	ENQ	25	37	%	45	69	E	65	101	e
06	6	ACK	26	38	&	46	70	F	66	102	f
07	7	BEL	27	39	'	47	71	G	67	103	g
08	8	BS	28	40	(	48	72	H	68	104	h
09	9	HT	29	41	)	49	73	I	69	105	i
0A	10	LF	2A	42	*	4A	74	J	6A	106	j
0B	11	VT	2B	43	+	4B	75	K	6B	107	k
0C	12	FF	2C	44	,	4C	76	L	6C	108	l
0D	13	CR	2D	45	-	4D	77	M	6D	109	m
0E	14	SO	2E	46	.	4E	78	N	6E	110	n
0F	15	SI	2F	47	/	4F	79	O	6F	111	o
10	16	DLE	30	48	0	50	80	P	70	112	p
11	17	DC1	31	49	1	51	81	Q	71	113	q
12	18	DC2	32	50	2	52	82	R	72	114	r
13	19	DC3	33	51	3	53	83	S	73	115	s
14	20	DC4	34	52	4	54	84	T	74	116	t
15	21	NAK	35	53	5	55	85	U	75	117	u
16	22	SYN	36	54	6	56	86	V	76	118	v
17	23	ETB	37	55	7	57	87	W	77	119	w
18	24	CAN	38	56	8	58	88	X	78	120	x
19	25	EM	39	57	9	59	89	Y	79	121	y
1A	26	SUB	3A	58	:	5A	90	Z	7A	122	z
1B	27	ESC	3B	59	;	5B	91	[	7B	123	{
1C	28	FS	3C	60	<	5C	92	\	7C	124	
1D	29	GS	3D	61	=	5D	93	]	7D	125	}
1E	30	RS	3E	62	>	5E	94	^	7E	126	~
1F	31	US	3F	63	?	5F	95	_	7F	127	(sp)

Table 35 ASCII chart

# Appendix C

## Ordering Cables

### General Information

To order cables, use the following order numbers:

10-2020	9-pin female to 9-pin female serial interconnect
10-2021	9-pin female to 25-pin female serial interconnect
10-2022	9-pin female to 25-pin male serial interconnect
253-9800007	25-pin male to 25-pin male parallel interconnect
98-01992	USB Series "A" plug to Series "B" plug interconnect

All of the above may be ordered by calling (607) 257-8901 and asking for the Sales Department or faxing an order to (607) 257-8922.

You may also order by mail. The address is:

TransAct Technologies Incorporated  
20 Bomax Drive  
Ithaca, New York 14850

# Index



[CAN] Clear print buffer .....	63	[ESC] 4 Set top of form .....	27
[CR] New line .....	22	[ESC] 5 <0> End auto line feed .....	28
[DC2] Set 10 cpi .....	38	[ESC] 5 <1> Begin auto line feed .....	28
[DC4] End one-line double-wide .....	40	[ESC] 8 Disable PE sensor .....	59
[ENQ] <1> Inquire Cash Drawer 1 status .....	68	[ESC] 9 Enable PE sensor .....	59
[ENQ] <10> Request printer reset .....	71	[ESC] a <n> Set justification .....	24
[ENQ] <11> Request printer power-cycle status .....	71	[ESC] A <n> Set variable line spacing n/72 inch .....	26
[ENQ] <2> Inquire Cash Drawer 2 status .....	68	[ESC] b <n> ... Print bar code .....	55
[ENQ] <4> Inquire receipt-paper out status .....	69	[ESC] B <n>1 <n>2 Set vertical tab stops .....	27
[ENQ] <6> Inquire form position sensor status .....	69	[ESC] C Set form length .....	28
[ENQ] <7> Inquire form-clamp status .....	69	[ESC] C [NUL] Set form length .....	28
[ENQ] <9> Send response .....	70	[ESC] d <n> Enable variable line spacing .....	26
[ENQ] <n> Inquire printer status .....	68	[ESC] D <n>1 <n>2 Set horizontal tab stops .....	23
[ESC] - <0> End underline .....	44	[ESC] E Begin emphasized print .....	45
[ESC] - <1> Begin underline .....	42	[ESC] F End emphasized print .....	45
[ESC] ! <n> Select international character set .....	31	[ESC] G Begin enhanced print .....	44
[ESC] # <0> Begin High Speed Draft Mode .....	29	[ESC] H End enhanced print .....	45
[ESC] \$ Copy ROM Character Set to RAM Character Set .....	35	[ESC] I <1> Set Utility Print Mode .....	29
[ESC] % G Begin italics .....	46	[ESC] J <n> Fine line feed .....	25
[ESC] % H End italics .....	46	[ESC] K <n> <sup>1</sup> <n> <sup>2</sup> Print single-density graphics .....	52
[ESC] * <m> <n> <sup>1</sup> <n> <sup>2</sup> Print graphics in mode <m> .....	53	[ESC] L <n> <sup>1</sup> <n> <sup>2</sup> Print double-density graphics .....	52
[ESC] \: Set 12 cpi .....	38	[ESC] P <0> Reset 90° rotated font .....	30
[ESC] ? <m><n> Reassign graphics mode .....	53	[ESC] P <1> Set 90° rotated font .....	30
[ESC] [ @ ... Double-high, double-wide, and italic .....	42	[ESC] P <2> Set 270° rotated font .....	30
[ESC] [ C <n> Insert Euro Character .....	36	[ESC] q <n> Query marker .....	64
[ESC] [ P <n> Set cpi .....	39	[ESC] r <0> End rotated print .....	50
[ESC] [ S <L <sub>L</sub> > <L <sub>H</sub> > <B <sub>C</sub> > ... Redefine Character Set .....	34	[ESC] r <1> Rotate 90° .....	48
[ESC] [ T <n <sub>h</sub> > <n <sub>i</sub> > Select Character Code Page .....	33	[ESC] r <2> Rotate 180° .....	49
[ESC] [DC1] Open forms clamp .....	60	[ESC] r <3> Rotate 270° .....	49
[ESC] [DC3] Close forms clamp .....	60	[ESC] r <5> Rotate 90° <u>with line formatting</u> .....	48
[ESC] [DC4] Select validation mode .....	60	[ESC] r <7> Rotate 270° with formatting .....	49
[ESC] [EM] B 0 Bar code height .....	58	[ESC] R Reset horizontal tab stops .....	24
[ESC] [EM] C <0> Validation clamp delay .....	61	[ESC] s <n> Set rotated print line length .....	50
[ESC] [EM] J <n> Bar code justification .....	58	[ESC] S<0> Select superscript .....	45
[ESC] [EM] V <n> Set validation delay .....	61	[ESC] S<1> Select subscript .....	46
[ESC] [SI] Set 24 cpi .....	38	[ESC] T End superscript or subscript .....	46
[ESC] ] Reverse line feed .....	28	[ESC] U <0> Begin bidirectional print .....	54
[ESC] ^ <n> Print control character .....	34	[ESC] U <1> Begin unidirectional print .....	54
[ESC] _ <0> End overscore .....	44	[ESC] u <n <sub>i</sub> > <m <sub>i</sub> >... Set rotated print line spacing .....	51
[ESC] _ <1> Begin overscore .....	44	[ESC] V <n> Set intercharacter spacing .....	39
[ESC] ~ <n> Extended diagnostics .....	75	[ESC] W <n> Double-wide and double-high .....	41
[ESC] < <n> Pass through .....	64	[ESC] x <n> Open cash drawer .....	63
[ESC] < <n> Print suppress .....	64	[ESC] X <n1> <n2> Set left/right margin .....	62
[ESC] = <c1><c2><start code><data> Character download .....	35	[ESC] y <n> Feature control .....	65
[ESC] > <0> Custom character set OFF .....	35	[ESC] Y <n> <sup>1</sup> <n> <sup>2</sup> Print full-speed double-density graphics .....	52
[ESC] > <1> Custom character set ON .....	35	[ESC] Z <n> <sup>1</sup> <n> <sup>2</sup> Print quad-density graphics .....	53
[ESC] 0 Set line space to 27/216 inch .....	25	[ESC] v Activate cutter .....	65
[ESC] 1 Set line spacing 7/72 inch .....	26	[FF] Form feed .....	27
[ESC] 2 Enable variable line spacing .....	26	[HT] Horizontal tab .....	23
[ESC] 3 <n> Set line spacing in n/216 inch .....	25	[LF] Line feed .....	22
		[SI] Set 17 cpi .....	38
		[SO] One-line double-wide .....	40
		[VT] Vertical tab .....	27

<b>—A—</b>	
APA graphic file .....	137
ASCII Chart .....	142

<b>—C—</b>	
Cash drawer control .....	63
Change history .....	i
Character pitch .....	37
Close forms compensation .....	60
Communications protocol .....	113
Communications, parallel port .....	116
Communications, serial .....	122
Configuration, feature .....	103
Configuration, manual .....	101
Configuration, remote .....	102
contacting TransAct's Ithaca Facility .....	9
Contacting TransAct's Ithaca Facility .....	9
Control Codes Overview .....	19
Control codes summary .....	89

<b>—D—</b>	
Diagnostic commands .....	75
Double-high .....	40
Double-wide .....	40
Double-wide characters .....	37

<b>—E—</b>	
Emphasized print .....	37, 40
Emulation, EPOS .....	20
Emulation, NCR2567 .....	21
Emulation, OKIDATA .....	20
Emulation, Standard .....	20
Emulation, STAR .....	20
Emulation, TELPAR .....	21
Enhanced print .....	37, 40

<b>—F—</b>	
Feature control .....	65
Forming characters .....	13

<b>—G—</b>	
General descriptions .....	10
Graphic printing .....	135
Graphics, APA .....	137
Graphics, character .....	135

<b>—H—</b>	
High Speed Draft .....	37

<b>—I—</b>	
Internet Support .....	8
IPCL codes .....	20
Italics .....	40

<b>—N—</b>	
Near Letter Quality .....	37
Nomenclature .....	19

<b>—O—</b>	
Open forms compensation .....	60

<b>—P—</b>	
Paper motion .....	22
Parallel port [ENQ]'s .....	117, 119
Parallel port pin-out .....	121
Parallel port PnP .....	120
Parallel port timing .....	116
Power-cycle flag .....	131
Printable area .....	17
Printer Control Commands .....	22
Printer inquire .....	66
Programmer's notes .....	133

<b>—R—</b>	
Remote reset .....	131
Rotating print .....	47

<b>—S—</b>	
Select validation mode .....	60
Serial Port [ENQ] .....	129
Serial port capabilities .....	122
Serial port flow control .....	123
Serial port pin-out .....	122
Series 150 Models .....	10
Service .....	7
Specifications, electrical .....	15
Specifications, general .....	12
Specifications, media .....	16
Specifications, physical .....	15
Specifications, printing .....	12
Standard features .....	10
Super and subscript .....	37, 40

<b>—T—</b>	
TransAct Technologies contacting .....	9

<b>—U—</b>	
Underline .....	37, 40
Utility Print .....	37

<b>—V—</b>	
Validation delay .....	61

<b>—W—</b>	
warranty .....	7



